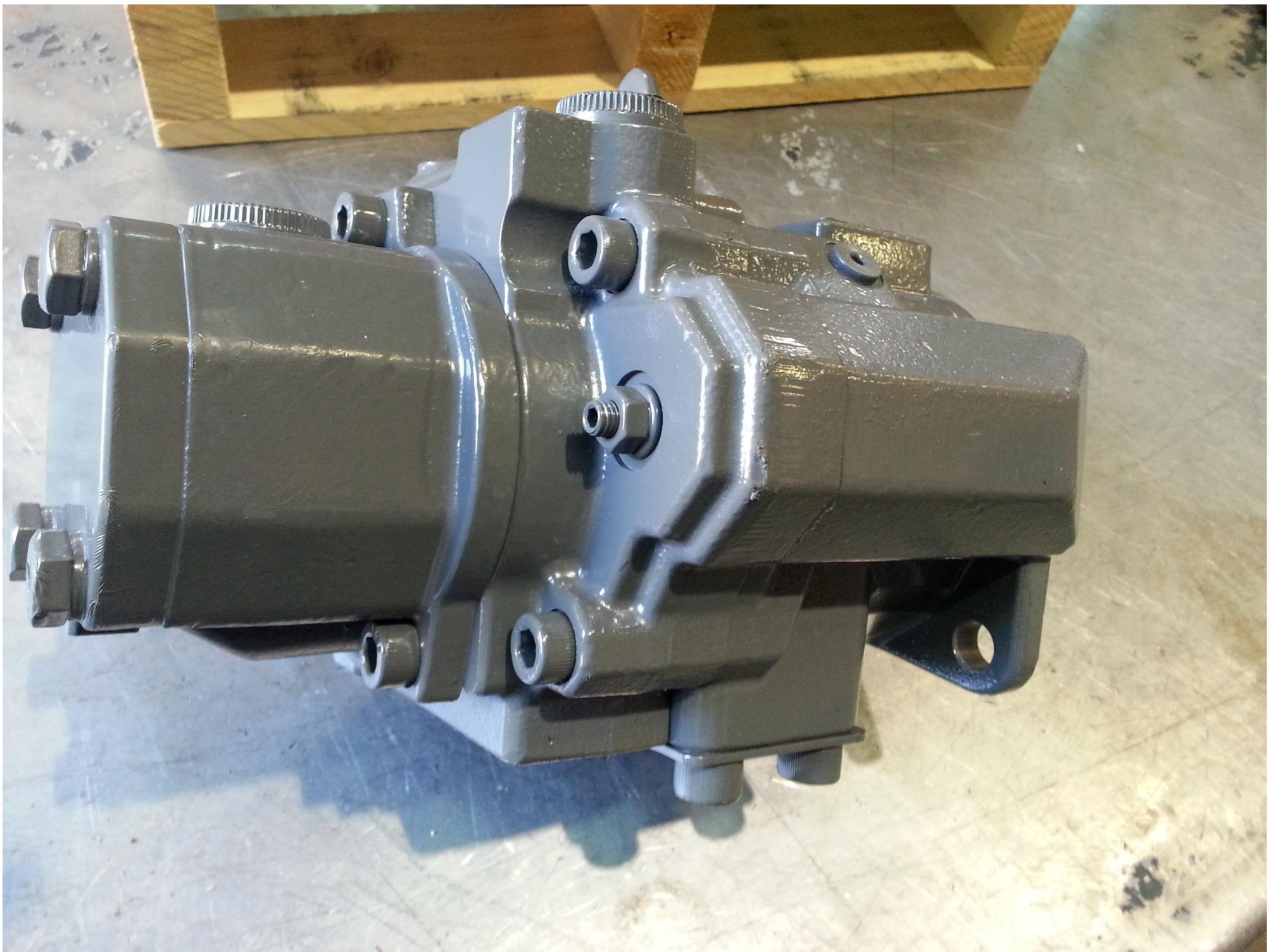
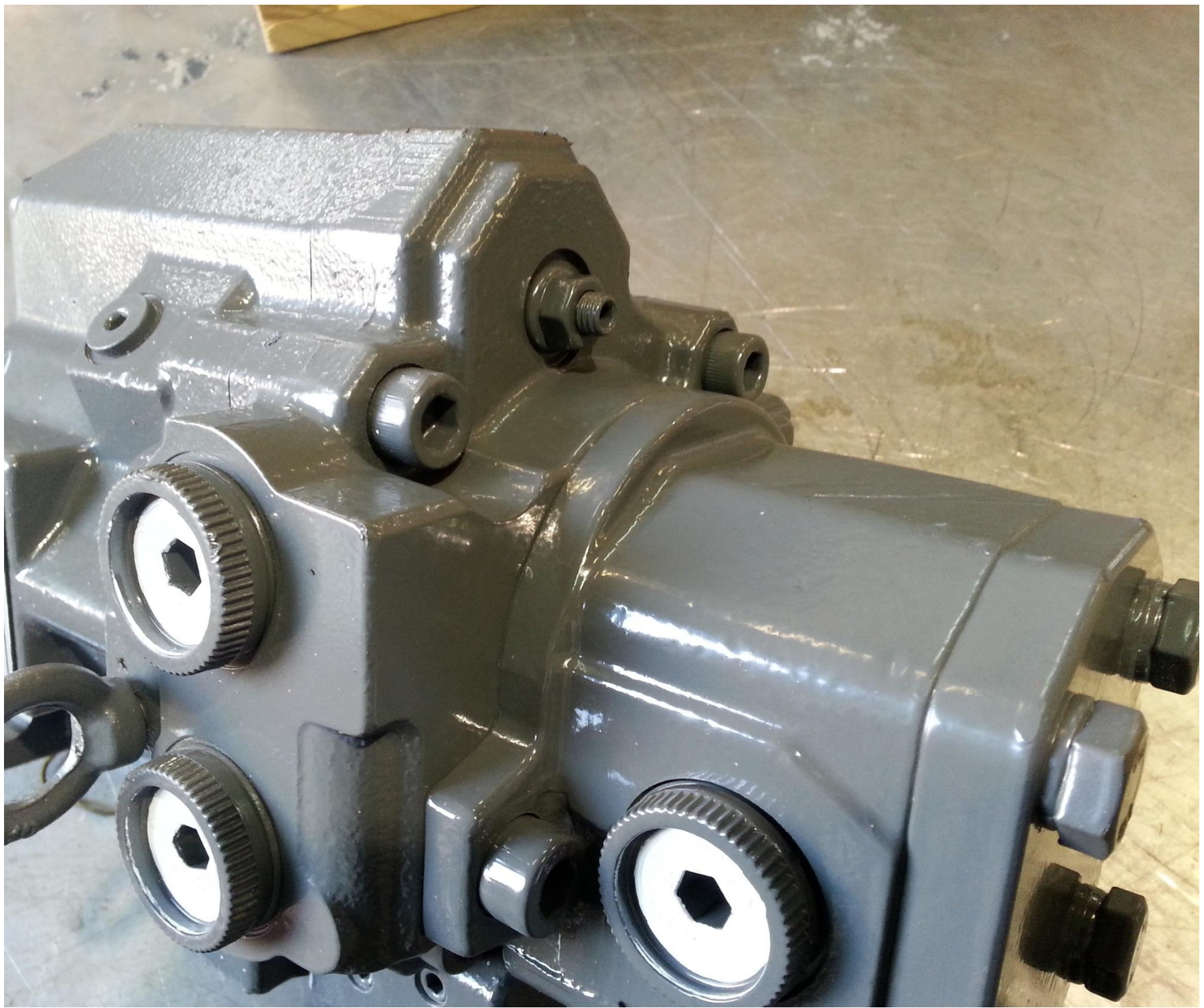
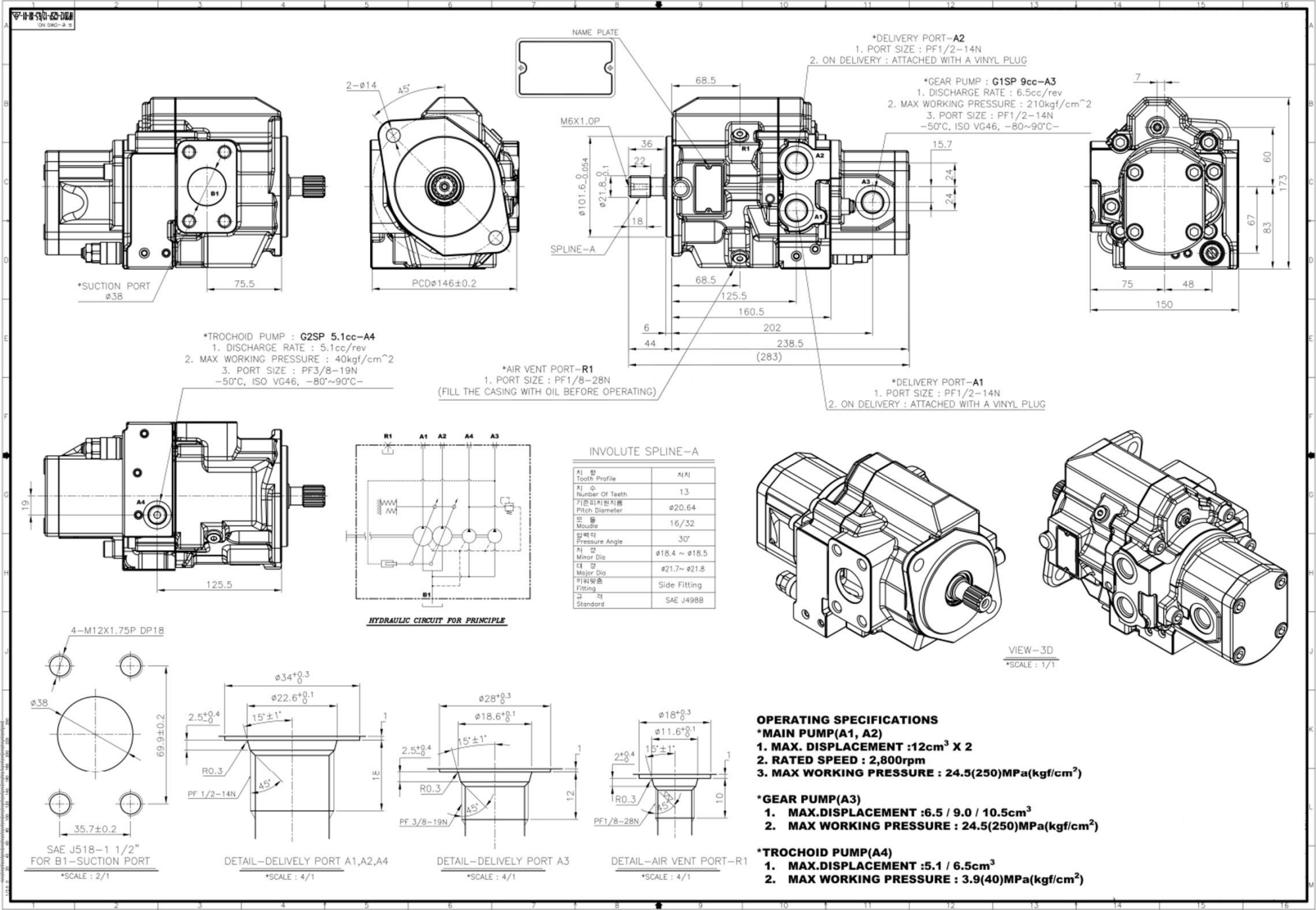


MODEL. MP20N2
PART NO. _____
MFG. NO. 160921102







***DELIVERY PORT-A2**
 1. PORT SIZE : PF1/2-14N
 2. ON DELIVERY : ATTACHED WITH A VINYL PLUG

***GEAR PUMP : G1SP 9cc-A3**
 1. DISCHARGE RATE : 6.5cc/rev
 2. MAX WORKING PRESSURE : 210kgf/cm²
 3. PORT SIZE : PF1/2-14N
 -50°C, ISO VG46, -80~90°C-

***TROCHOID PUMP : G2SP 5.1cc-A4**
 1. DISCHARGE RATE : 5.1cc/rev
 2. MAX WORKING PRESSURE : 40kgf/cm²
 3. PORT SIZE : PF3/8-19N
 -50°C, ISO VG46, -80~90°C-

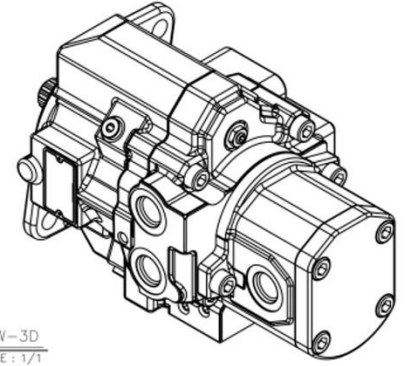
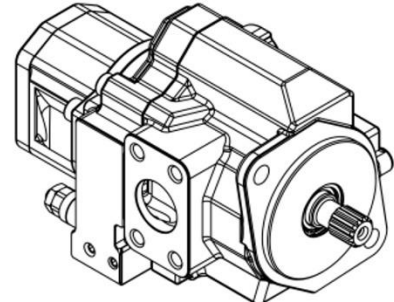
***AIR VENT PORT-R1**
 1. PORT SIZE : PF1/8-28N
 (FILL THE CASING WITH OIL BEFORE OPERATING)

***DELIVERY PORT-A1**
 1. PORT SIZE : PF1/2-14N
 2. ON DELIVERY : ATTACHED WITH A VINYL PLUG

INVOLUTE SPLINE-A

치 형 Tooth Profile	지치
치 수 Number Of Teeth	13
기준미지원지름 Pitch Diameter	φ20.64
모듈 Module	16/32
압력각 Pressure Angle	30°
저경 Minor Dia	φ18.4 ~ φ18.5
대경 Major Dia	φ21.7 ~ φ21.8
적합형식 Fitting	Side Fitting
규격 Standard	SAE J498B

HYDRAULIC CIRCUIT FOR PRINCIPLE

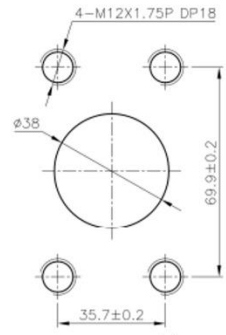


VIEW-3D
 *SCALE : 1/1

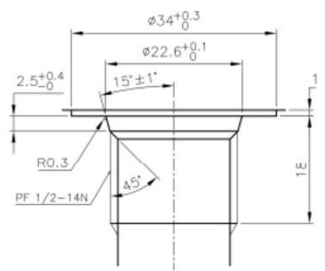
OPERATING SPECIFICATIONS
***MAIN PUMP(A1, A2)**
 1. MAX. DISPLACEMENT : 12cm³ X 2
 2. RATED SPEED : 2,800rpm
 3. MAX WORKING PRESSURE : 24.5(250)MPa(kgf/cm²)

***GEAR PUMP(A3)**
 1. MAX. DISPLACEMENT : 6.5 / 9.0 / 10.5cm³
 2. MAX WORKING PRESSURE : 24.5(250)MPa(kgf/cm²)

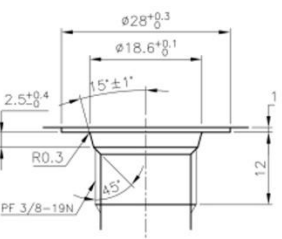
***TROCHOID PUMP(A4)**
 1. MAX. DISPLACEMENT : 5.1 / 6.5cm³
 2. MAX WORKING PRESSURE : 3.9(40)MPa(kgf/cm²)



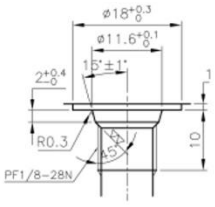
SAE J518-1 1/2"
FOR B1-SUCTION PORT
 *SCALE : 2/1



DETAIL-DELIVERY PORT A1,A2,A4
 *SCALE : 4/1



DETAIL-DELIVERY PORT A3
 *SCALE : 4/1



DETAIL-AIR VENT PORT-R1
 *SCALE : 4/1