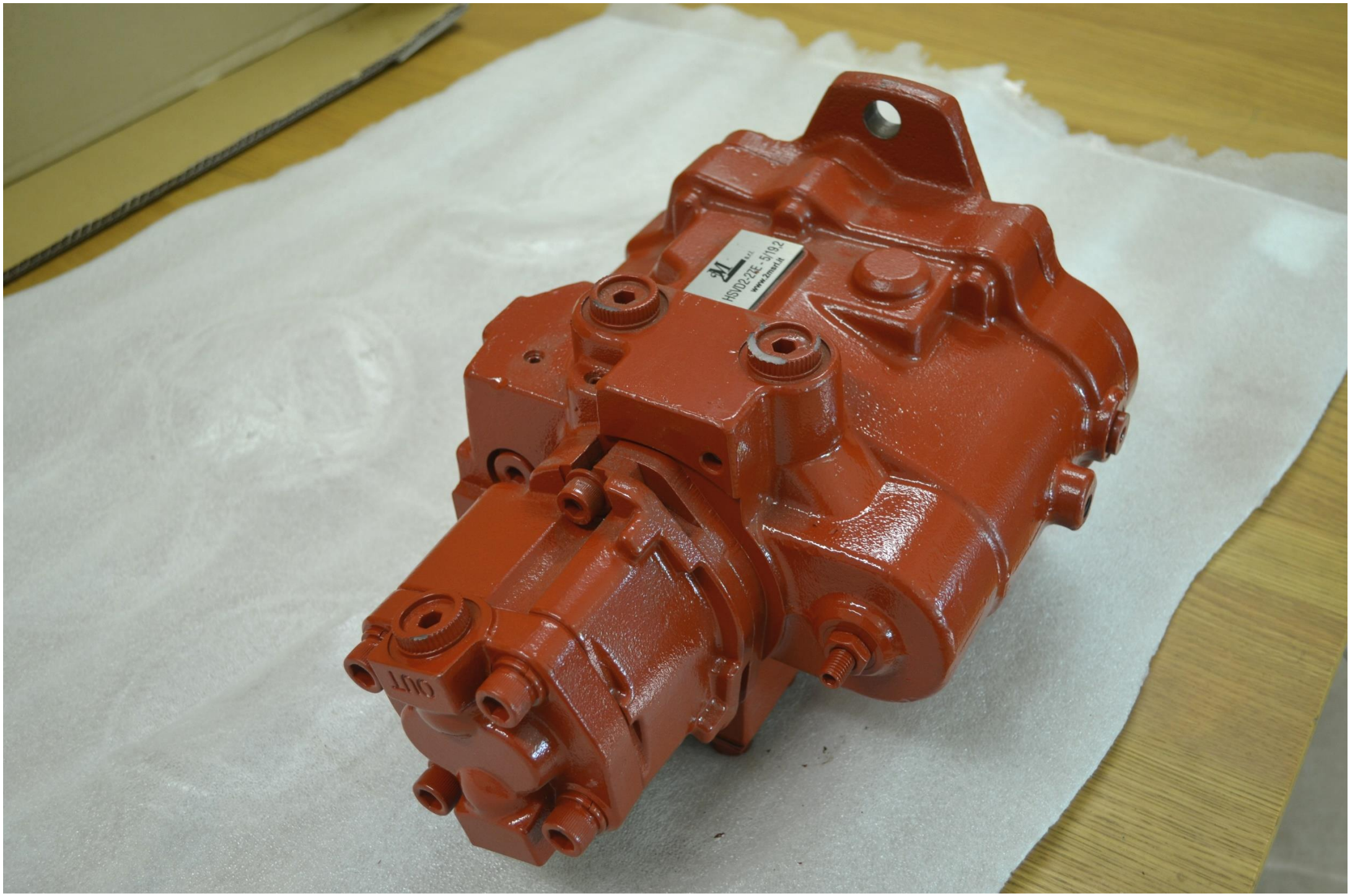


**M** s.r.l.  
HSVD2-27E - 5/19,2  
www.2msrl.it

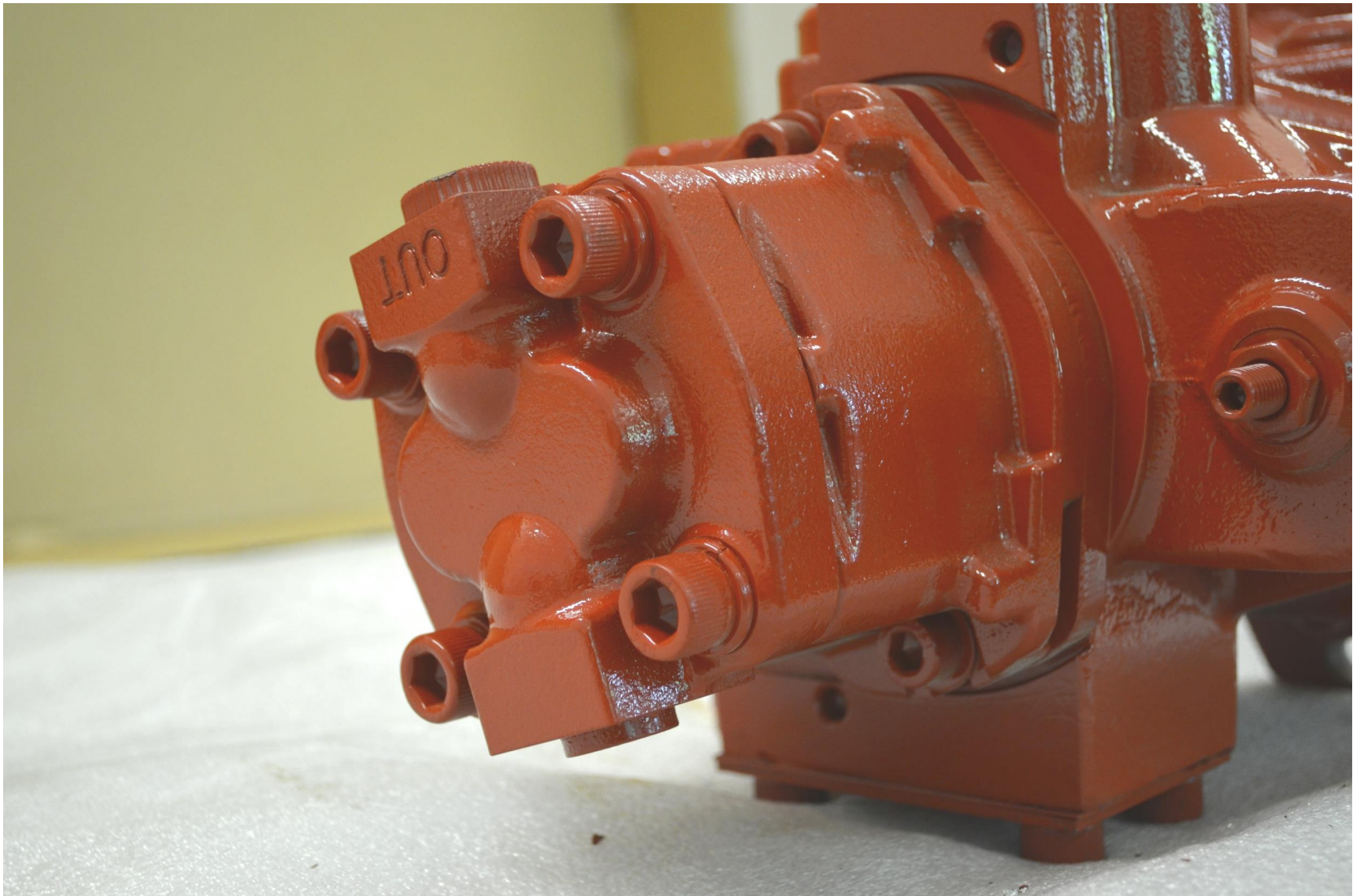




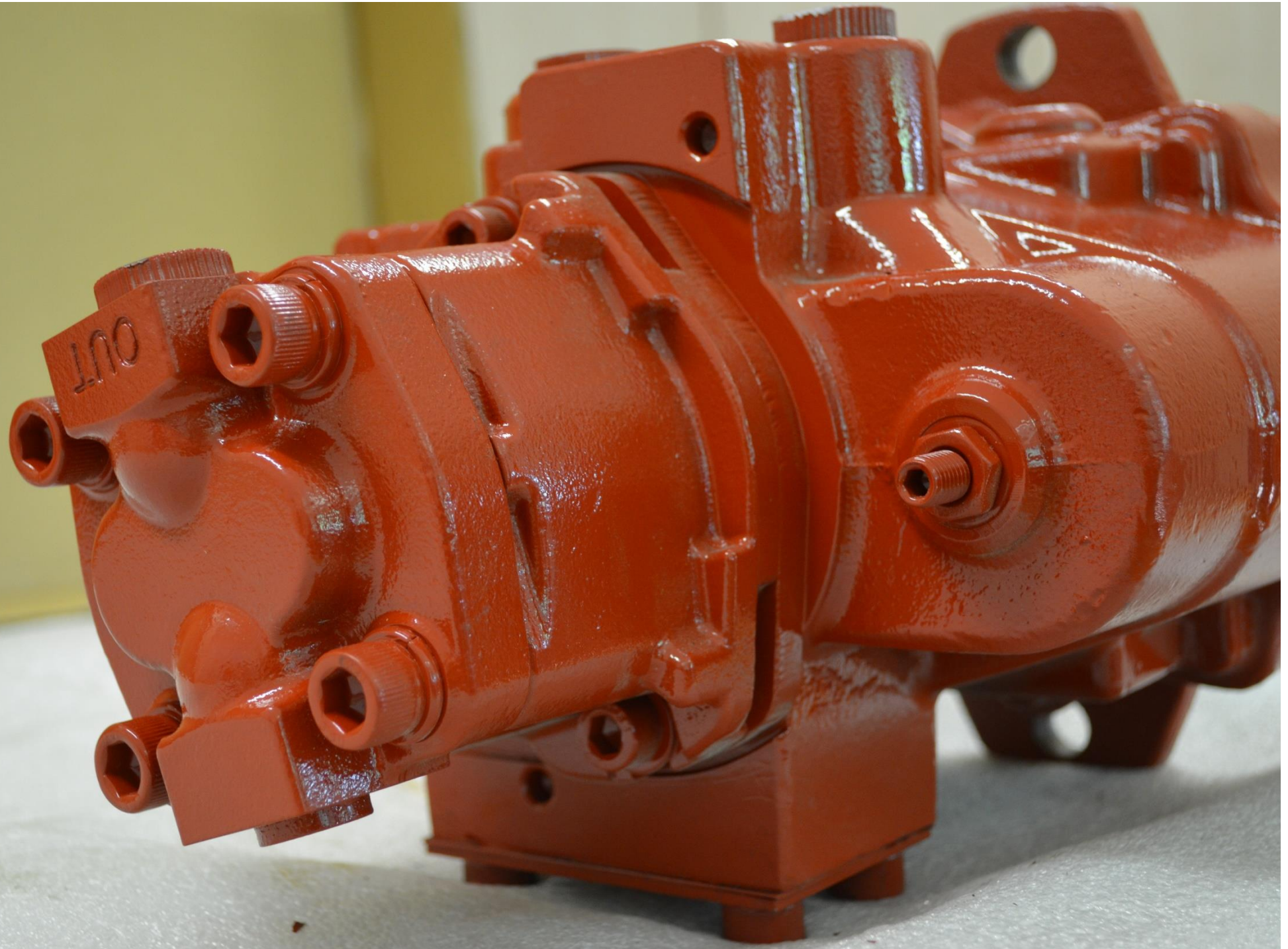
HSD2-2ZE-519-2  
www.zimmerlin.it

150





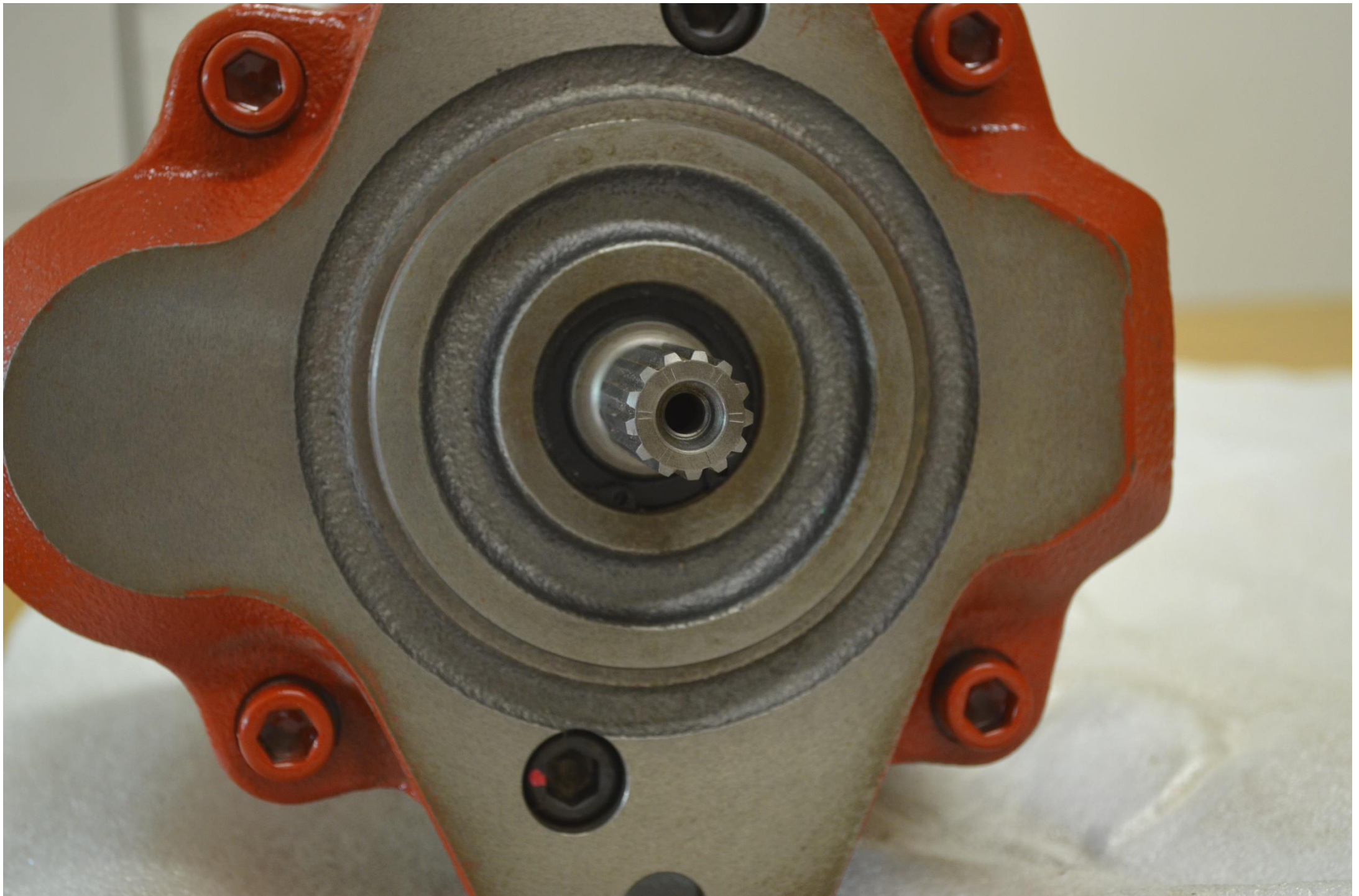




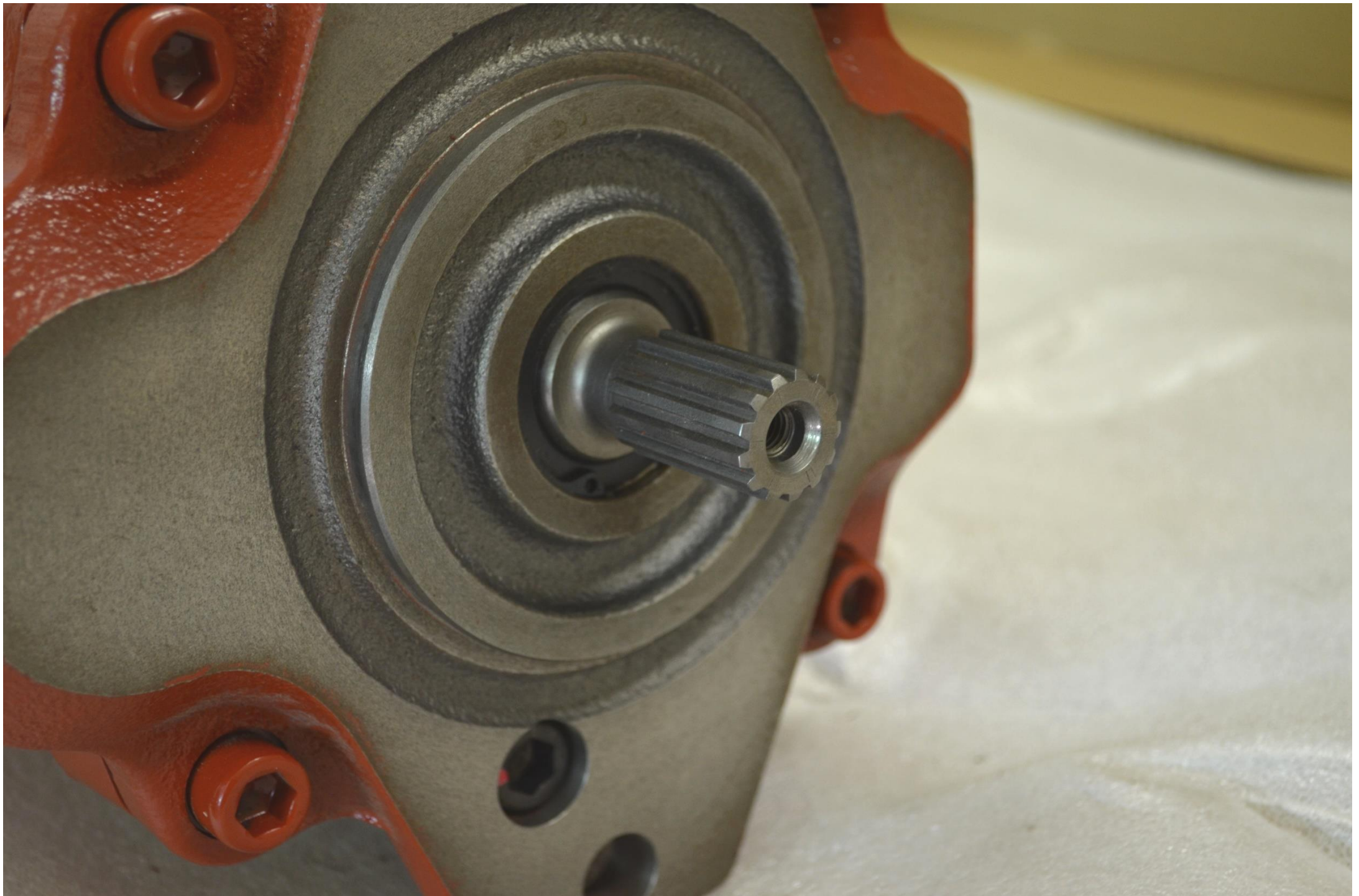




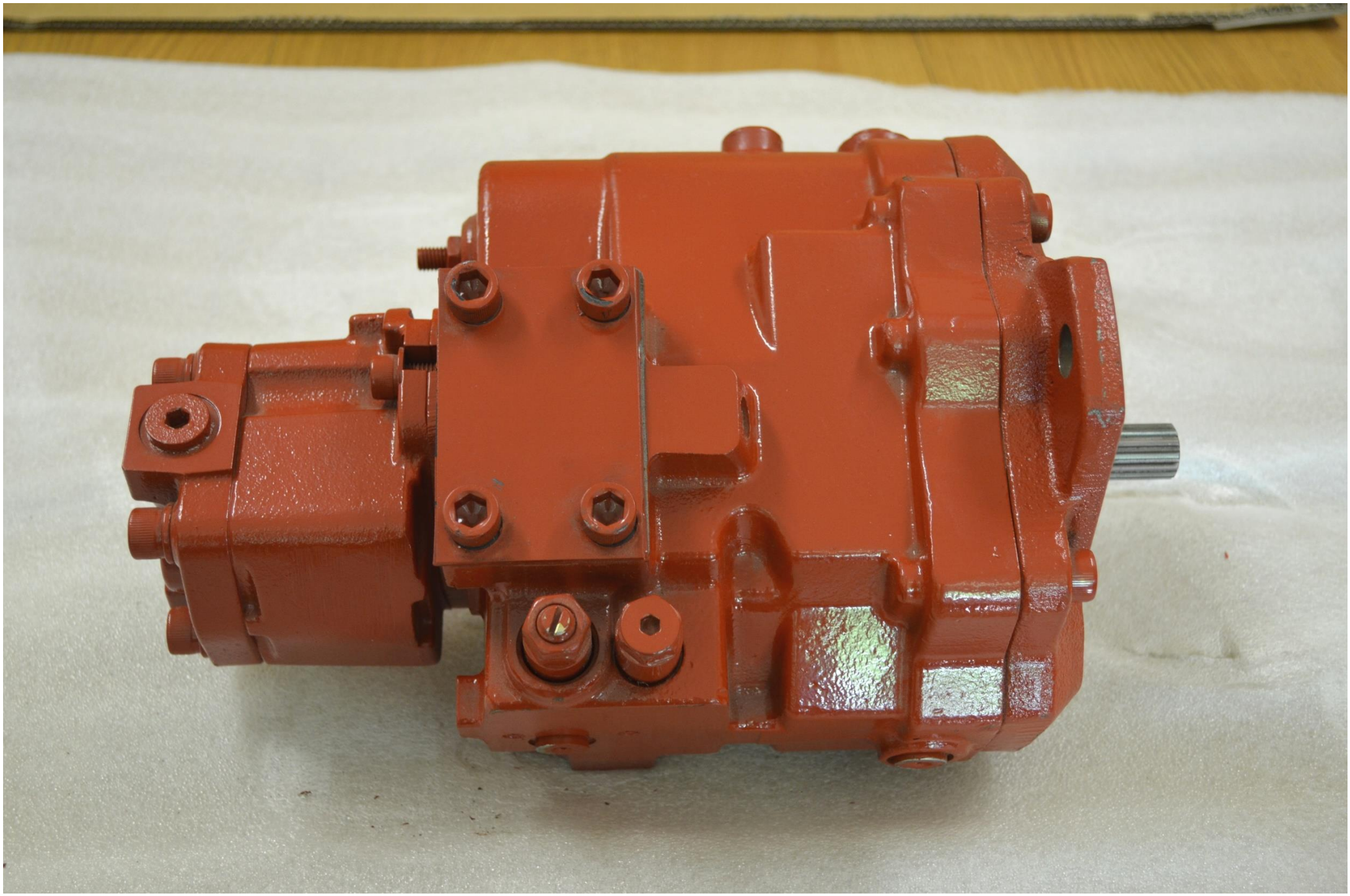




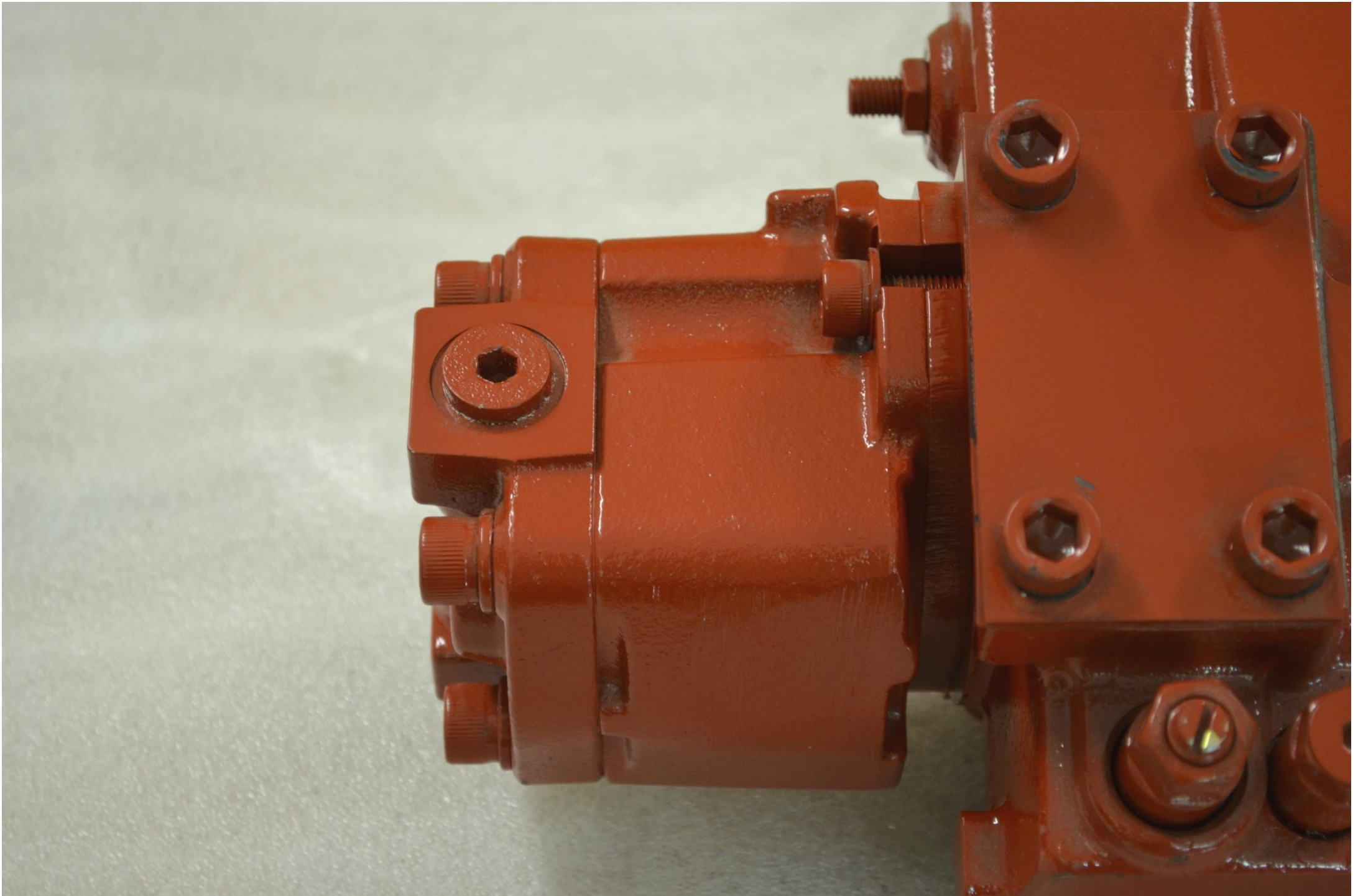




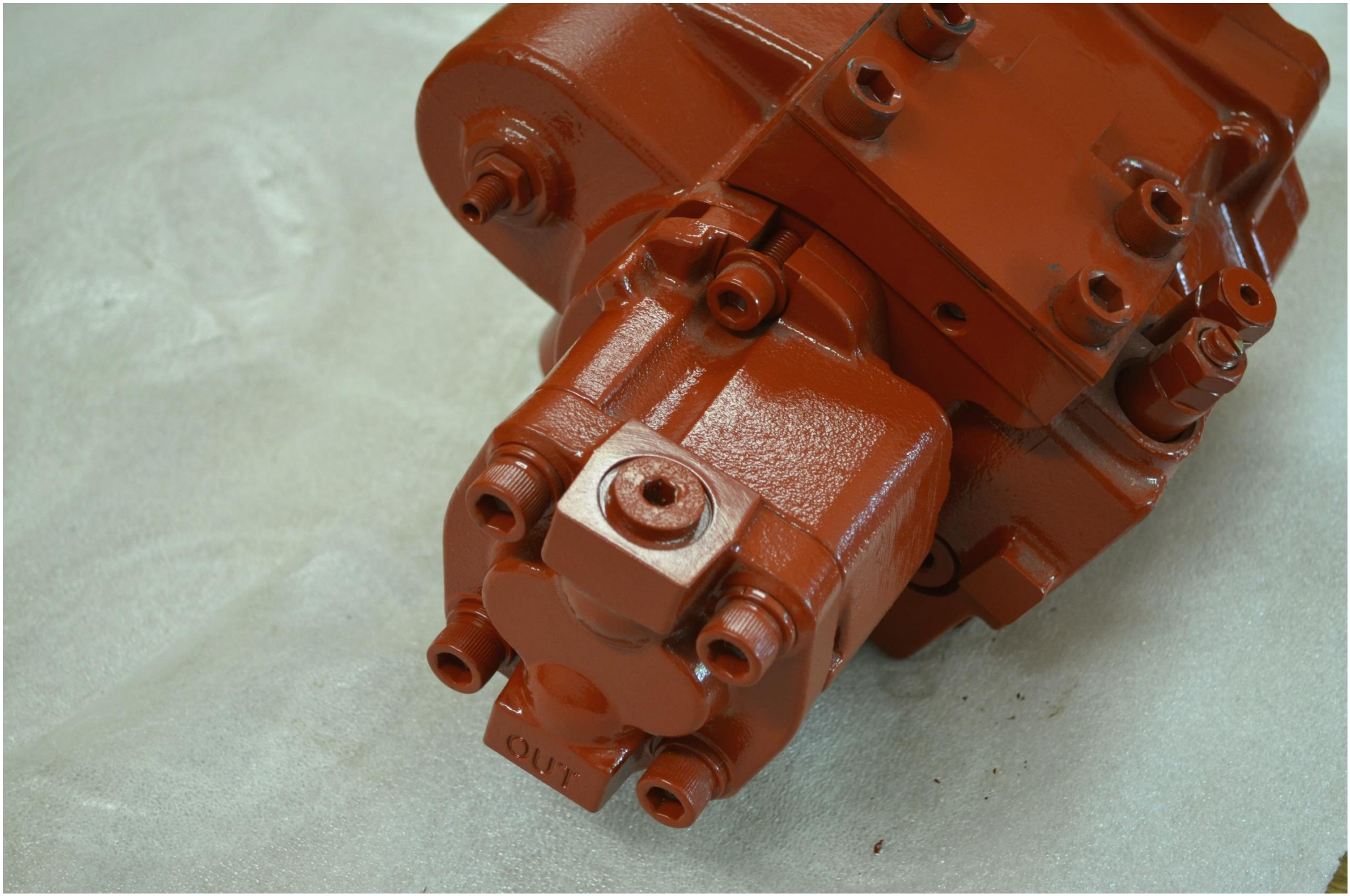




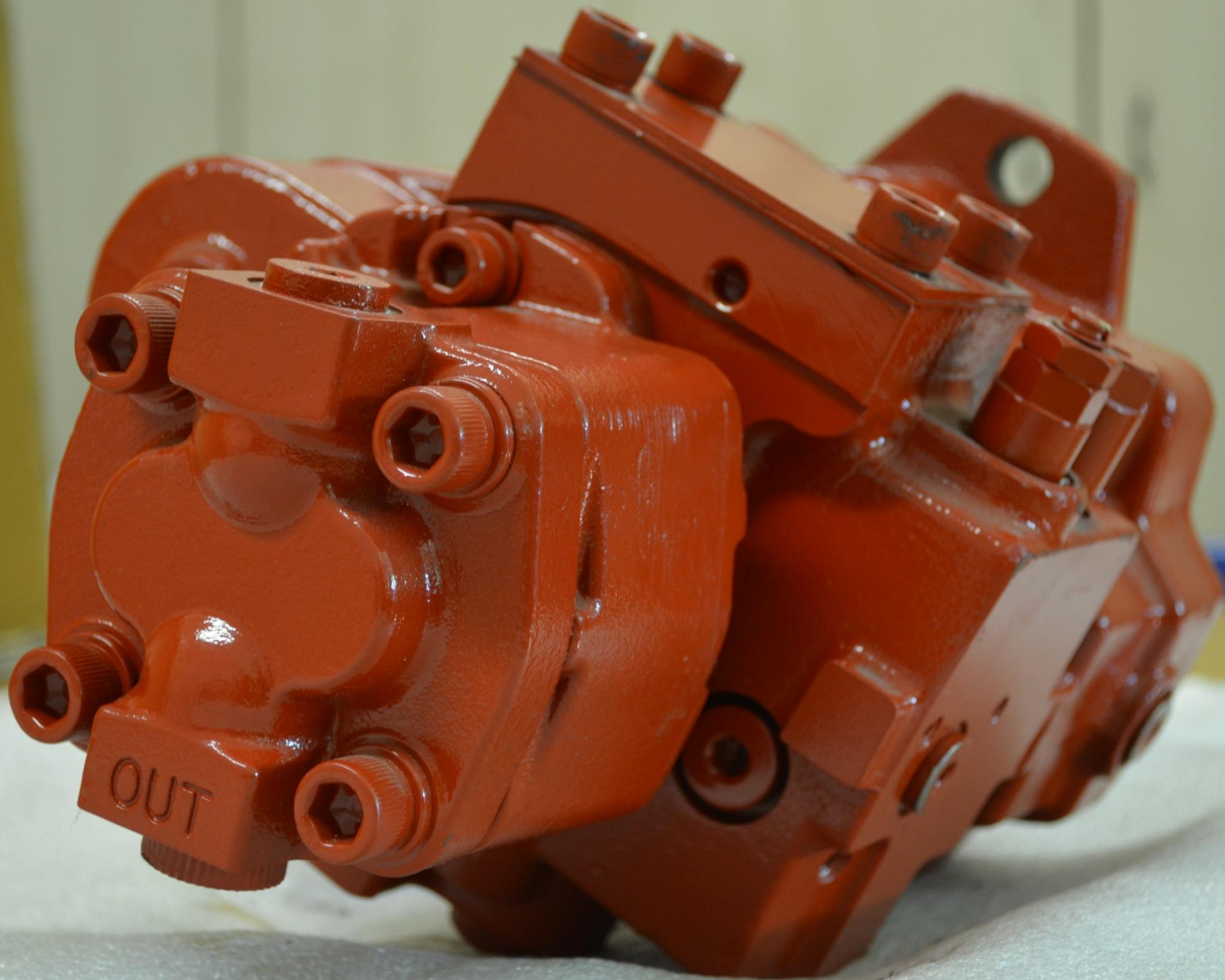




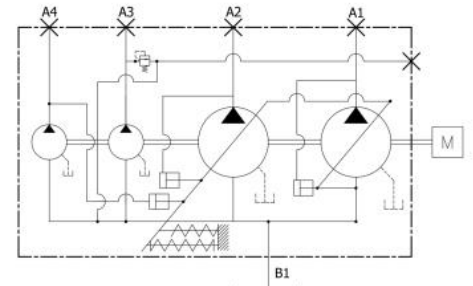
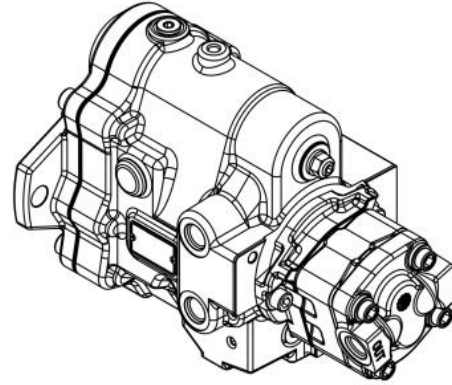
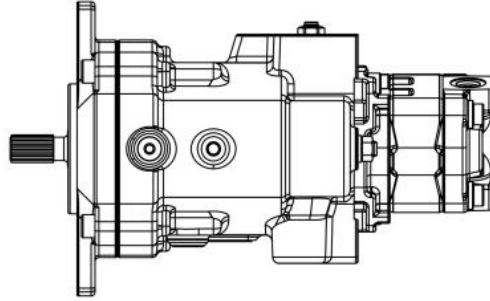
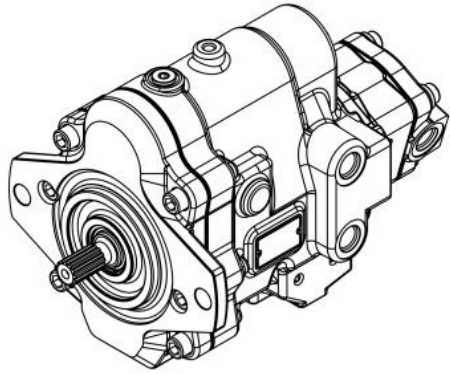




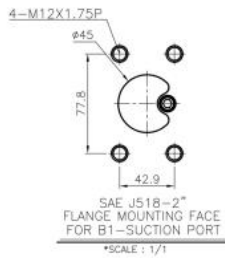
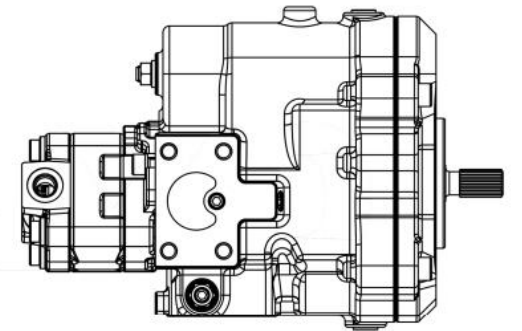
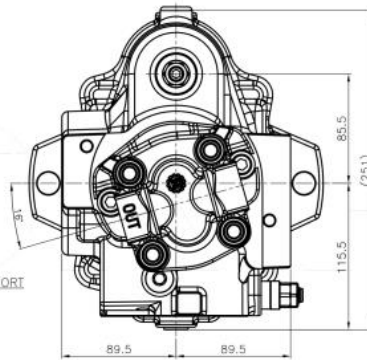
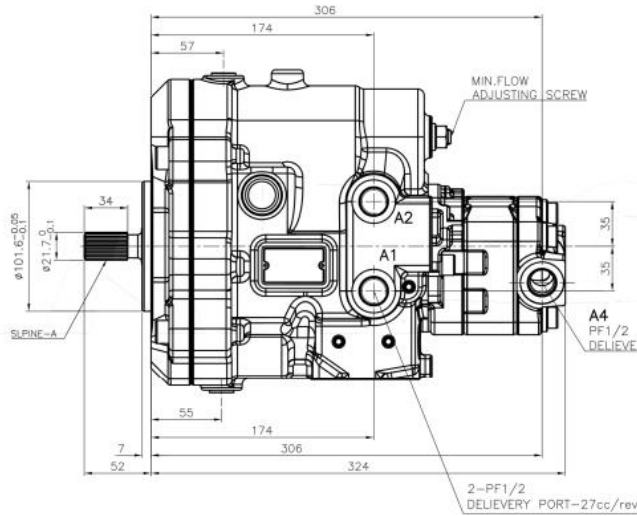
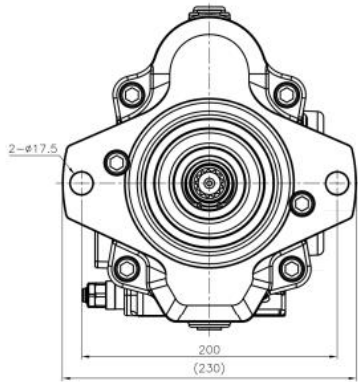




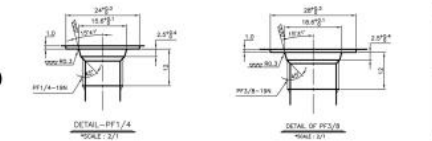
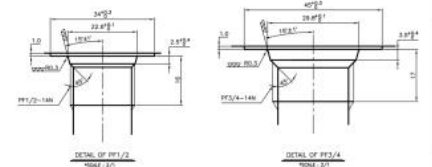
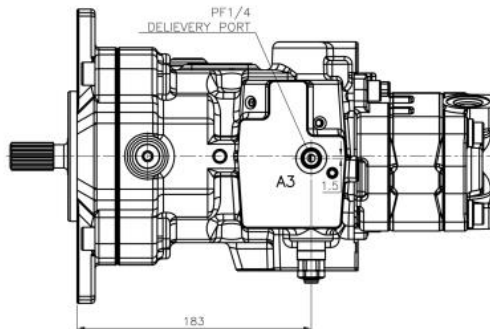




HYDRAULIC CIRCUIT FOR PRINCIPLE



INVOLUTE SPLINE 齿轴 B-A	
A	G
Number Of Teeth	13
Pitch Circle Diameter	20.638
Pitch Diameter	16.32
Module	1.6/32
Pressure Angle	30°
Standard	SAE



**OPERATING SPECIFICATIONS**

1. MAX. DISPLACEMENT : (22.4~27.9cm<sup>3</sup>) X 2
2. RATED SPEED : 2,400rpm
3. MAX WORKING PRESSURE : 24.5(250)MPa(kgf/cm<sup>2</sup>)

**\*PILOT PUMP**

1. MAX.DISPLACEMENT : 3.5 / 4.9 / 5.1cm<sup>3</sup>
2. MAX WORKING PRESSURE : 4.9(50)MPa(kgf/cm<sup>2</sup>)

**\*GEAR PUMP**

1. MAX.DISPLACEMENT : 7.0 / 9.4 / 11.9 / 14.3 / 16.8 / 19.2cm<sup>3</sup>
2. MAX WORKING PRESSURE : 20.6(210)MPa(kgf/cm<sup>2</sup>)