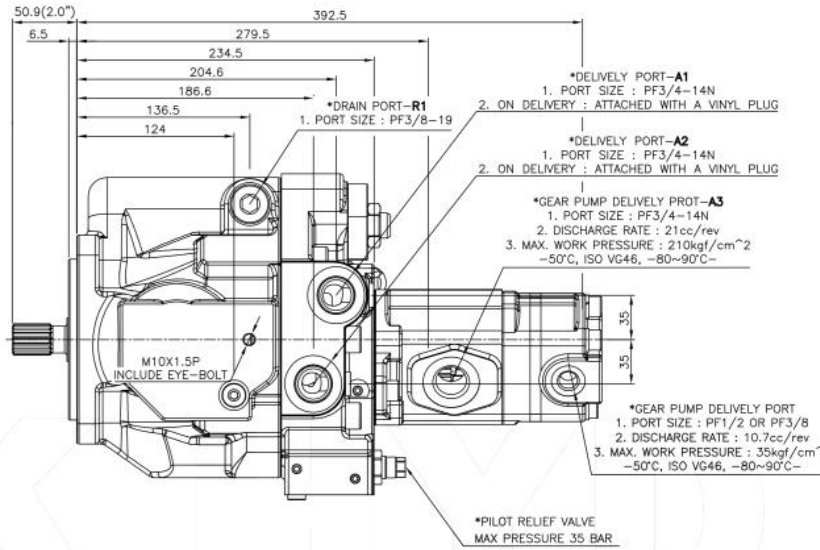
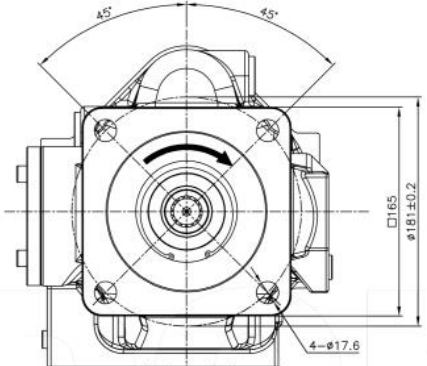
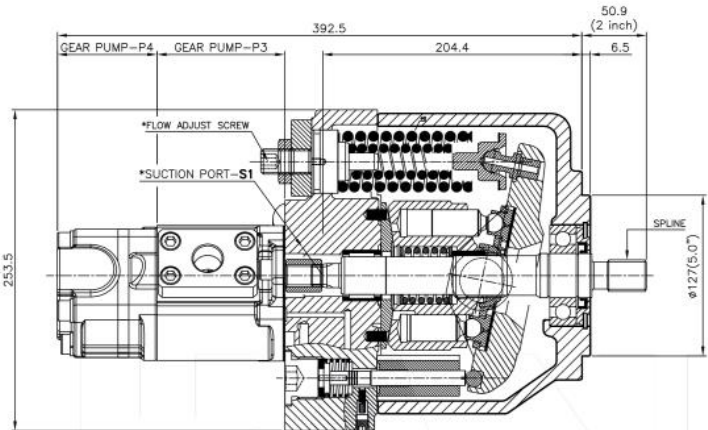
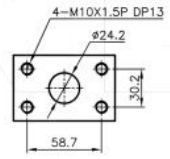


HP2D36-14T-G2SP-21/11cc-XR



INVOLUTE SPLINE 오목표

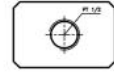
기형 Tooth Profile	외형
기형 Tooth Profile	외형
기형 Number of Teeth	14
기형 Pitch Diameter	29.634
기형 Module	12/24
기형 Pressure Angle	30°
기형 Major Dia	42.663 ~ 42.663
기형 Minor Dia	31.1 ~ 31.2
기형 Min. Adjust	3.213
기형 Max. Effect	3.286
기형 Fitting	Slide Fitting
기형 Standard	SAE J498B



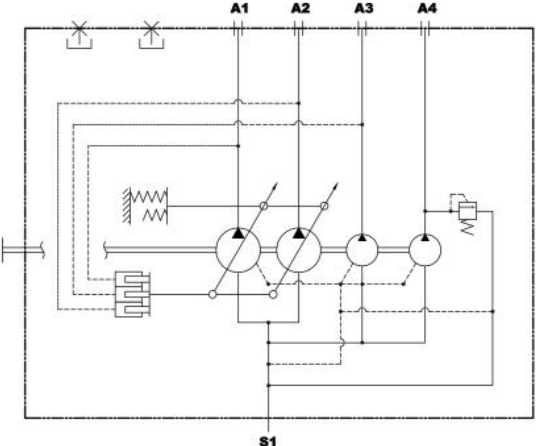
OPERATING SPECIFICATIONS

1. MAX. DISPLACEMENT
- | | |
|----|---------|
| P1 | 25.5MPa |
| P2 | 25.5MPa |
| P3 | 20.7MPa |
| P4 | 3.3MPa |
2. RATED SPEED : 2300rpm
 3. MAX WORKING PRESSURE : 25.5(260)MPa(kgf/cm²)

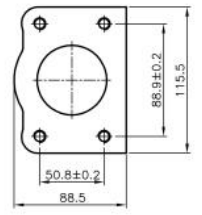
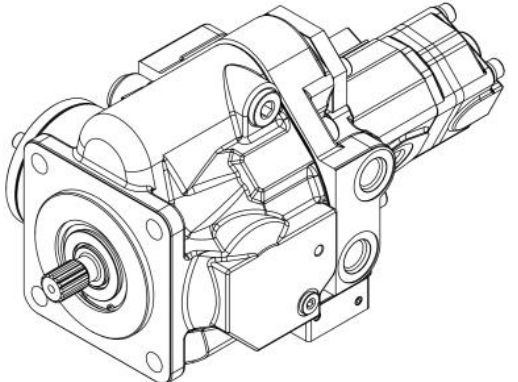
GEAR PUMP SUCTION PORT (ZX60) SAE J518 1-1/4(CODE 61) *SCALE : 1/1



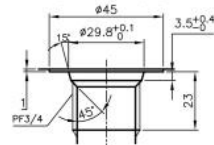
GEAR PUMP SUCTION PORT (ZX75) *SCALE : 1/1



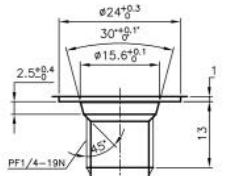
HYDRAULIC CIRCUIT FOR PRINCIPLE



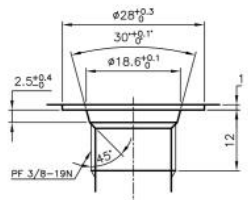
SAE 2 1/2 FOR SUCTION PORT *SCALE : 1/1



DETAIL-DELIVERY PORT *SCALE : 2/1



DETAIL-DRAIN PORT-R *SCALE : 4/1



DETAIL-DRAIN PORT-R1 *SCALE : 4/1