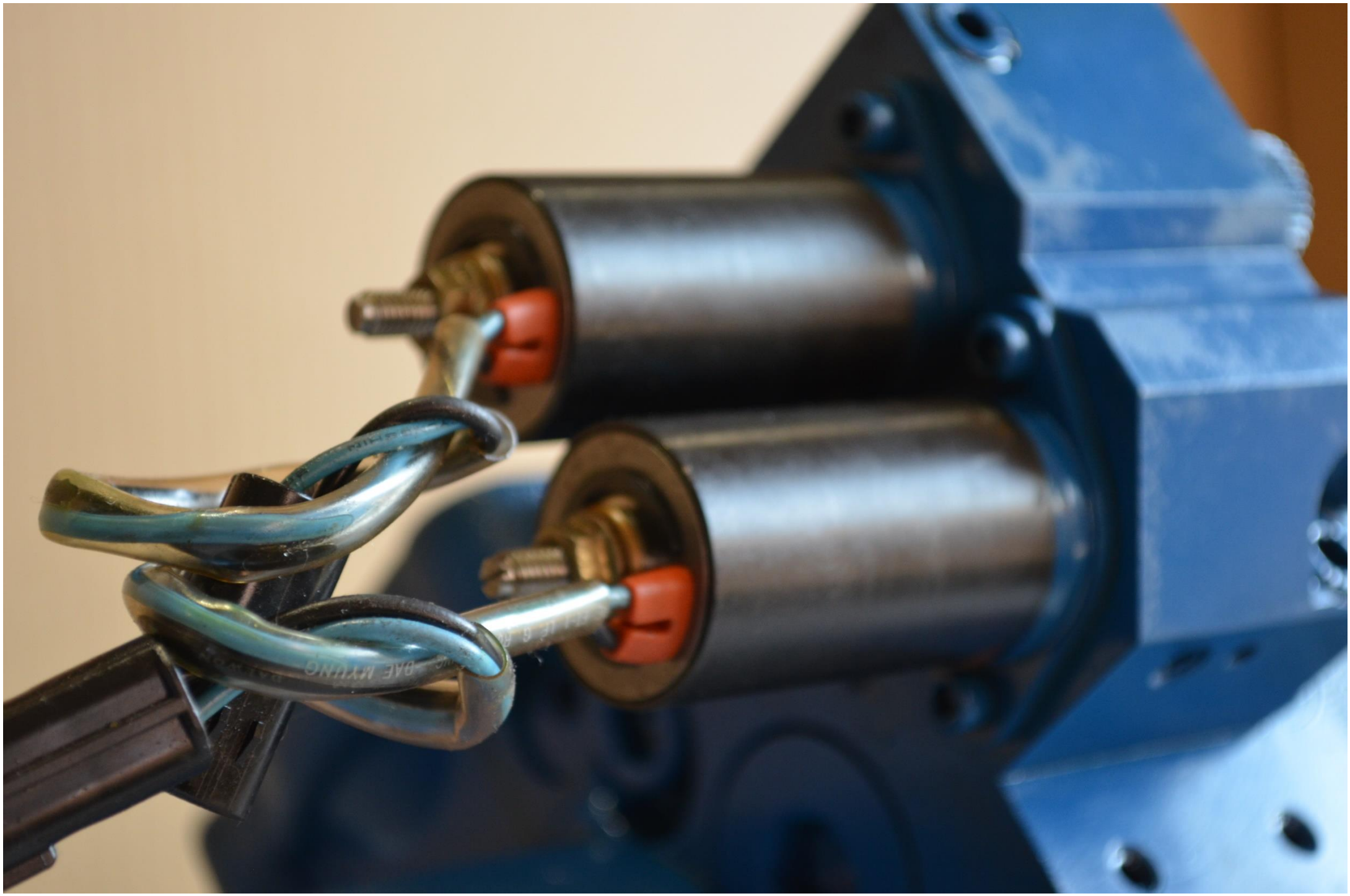
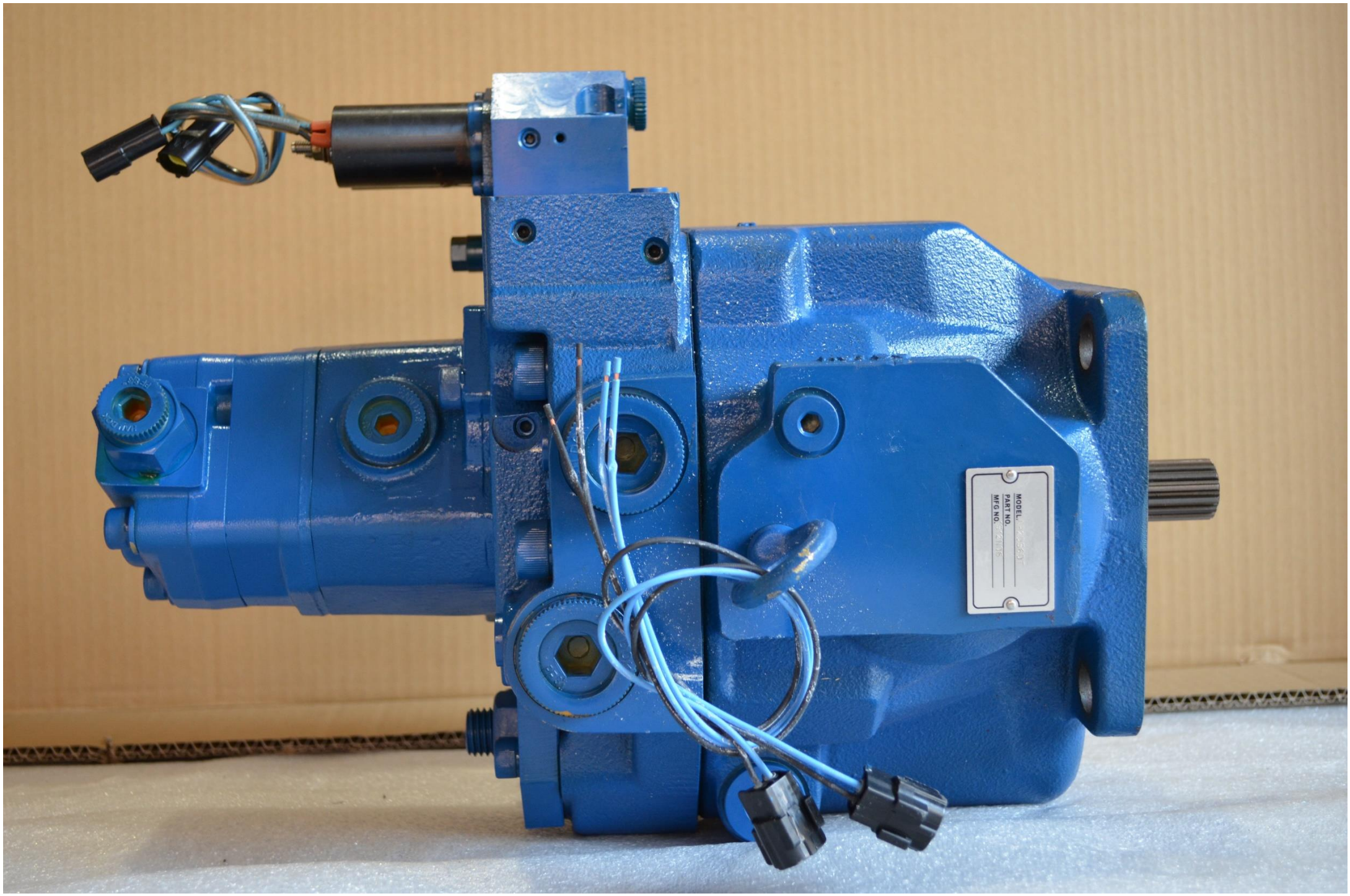
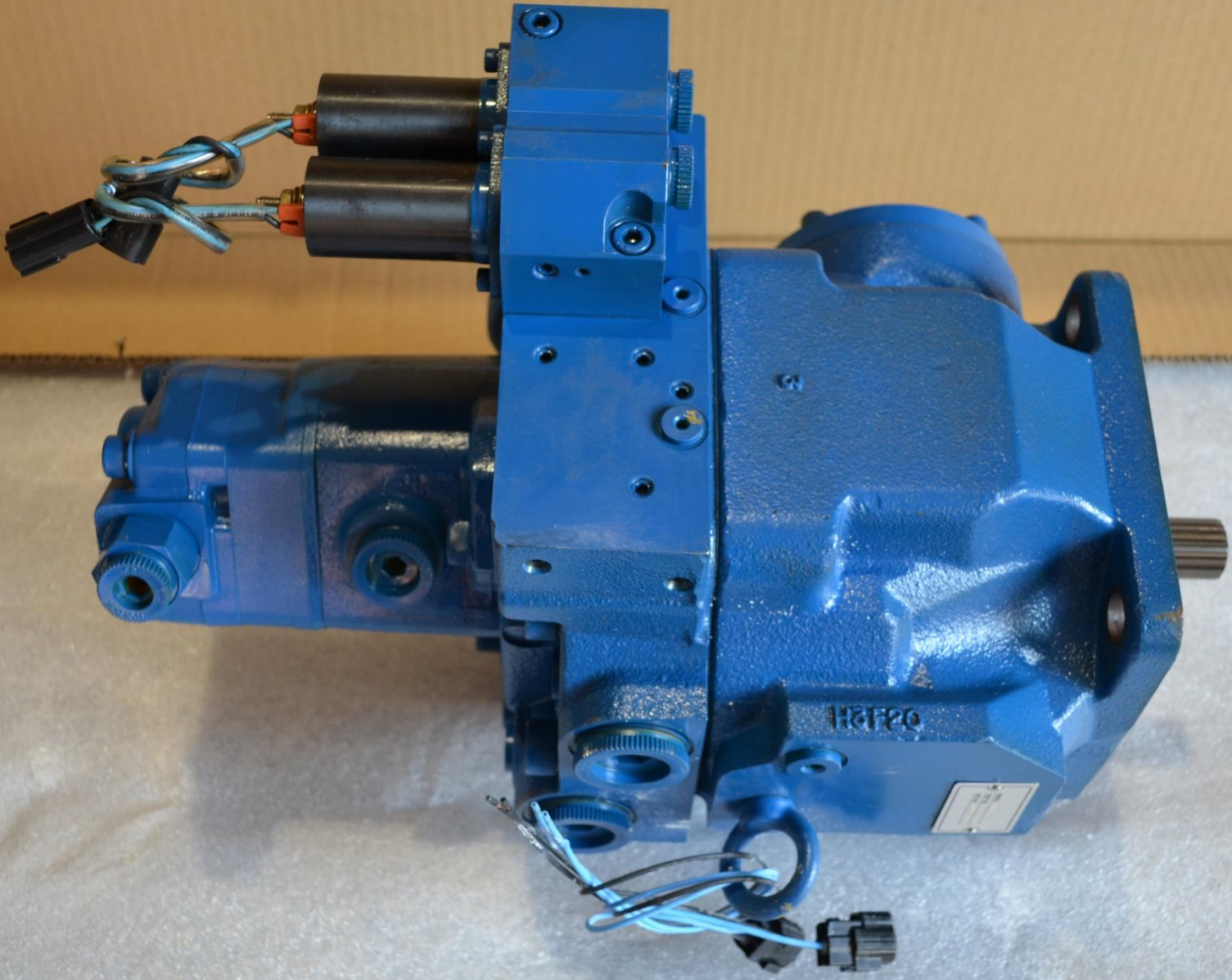


13F20

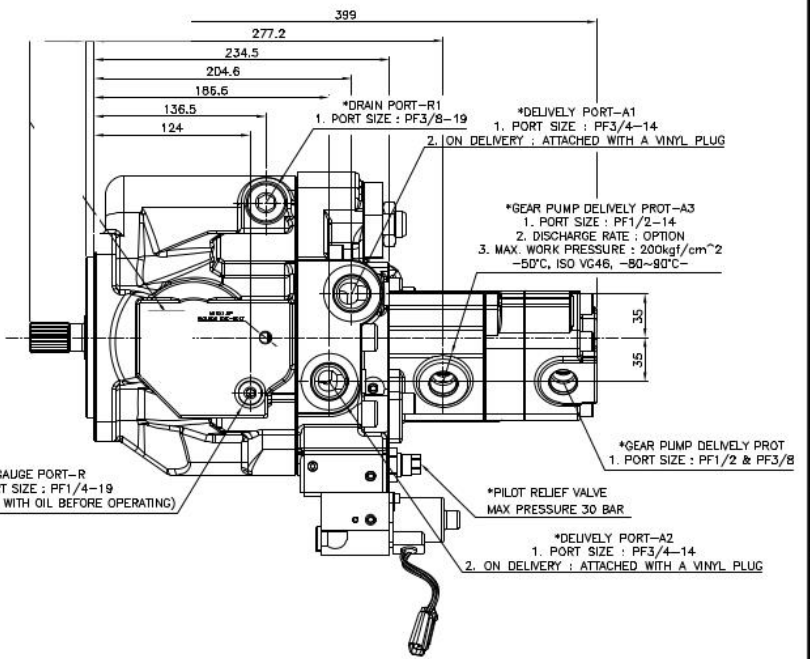
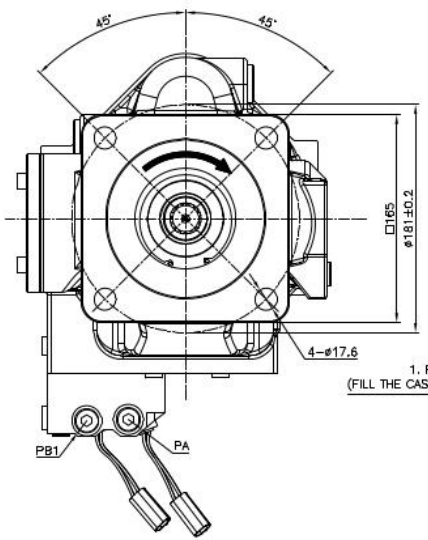
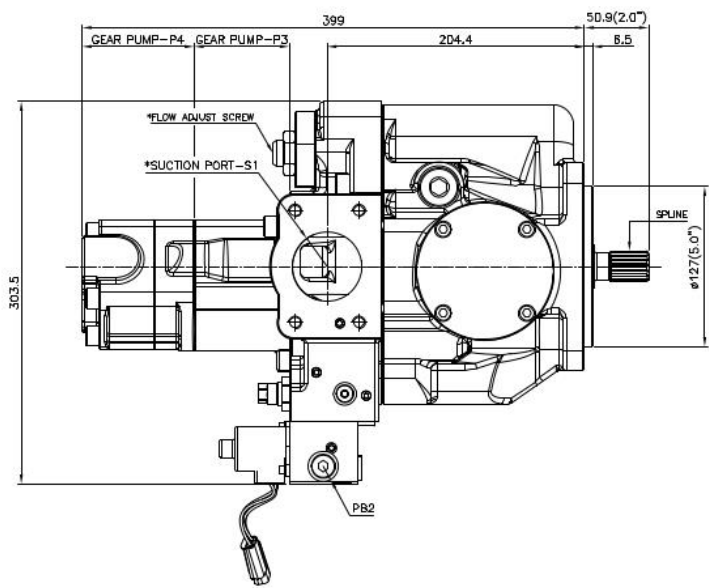




MODEL: 2000000
PART NO. 2000000
MFG NO. 2000000



REV	DATE	DESCRIPTION	DESIGN	CHK	APP	SEC	ST	PROJ. NO.	REV. NO.	REV. DATE	REV. DESCRIPTION
1	1.10.10	APPROVAL									

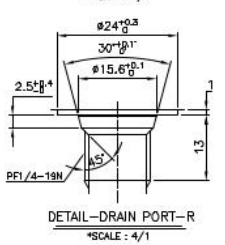
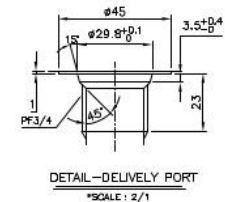
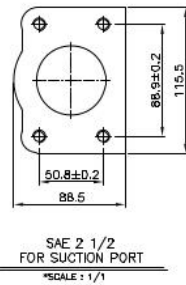


OPERATING SPECIFICATIONS

1. MAX. DISPLACEMENT

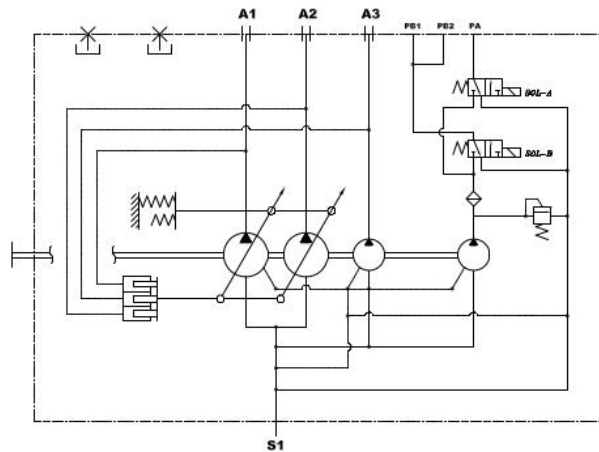
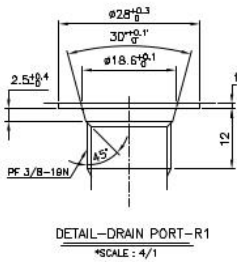
P1	25.5MPa
P2	25.5MPa
P3	23.5MPa
P4	2.9MPa

- 2. RATED SPEED : 2300rpm**
3. MAX WORKING PRESSURE : 25.5(260)MPa(kgf/cm²)



INVOLUTE SPLINE 요목표

치수	치수	치수
Number of Teeth	15	
기어치치관지름	22.5	
Pitch Diameter		
모듈	1.5	
Module		
압력각	20°	
Pressure Angle		
측정핀 직경	Ø2.7	
Measurement Pin Dia		
측정핀 간격	27.897	
Measurement Over Pins		
표준	JIS	
Standard		



HYDRAULIC CIRCUIT FOR PRINCIPLE

