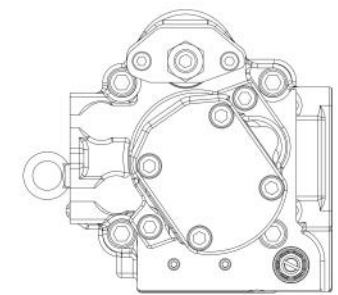
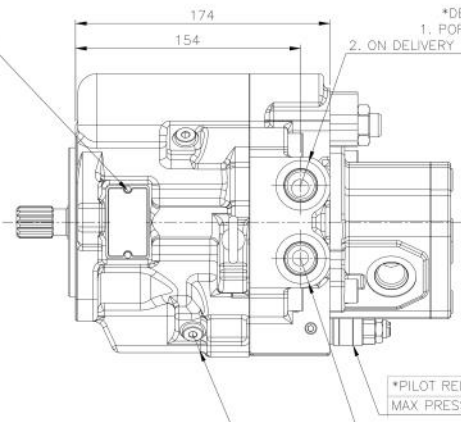
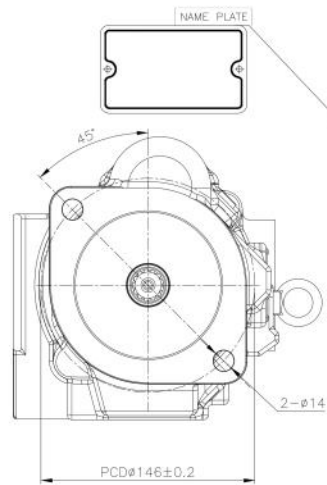
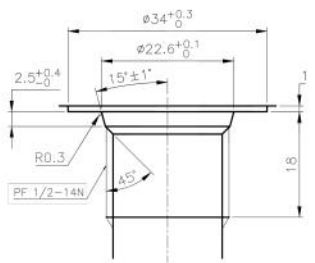
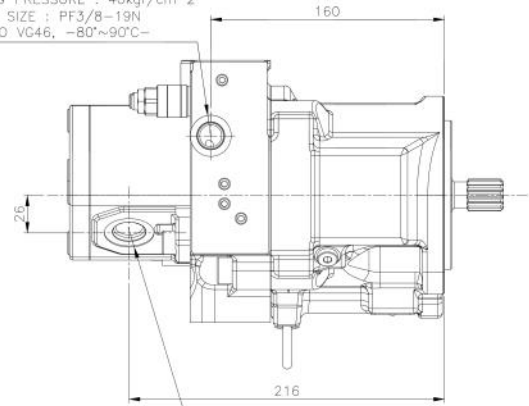


INVOLUTE SPLINE

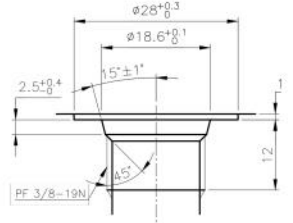
tooth Profile	XR1
No. of Teeth	13
Pitch Circle Diameter	Ø20.84
Pitch Diameter	16/32
No. of Modules	30°
Pressure Angle	
Add-on	Ø18.4 ~ Ø18.5
Module Dia	Ø21.5 ~ Ø21.8
Fillet Radius	Side Filing
Ref. Standard	SAE J400B



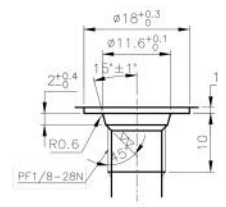
***TROCHOID PUMP : G2SP 5.1cc-A4**
 1. DISCHARGE RATE : 5.1cc/rev
 2. MAX WORKING PRESSURE : 40kgf/cm²
 3. PORT SIZE : PF3/8-19N
 -50°C, ISO VG46, -80~90°C-



DETAIL-DELIVERY PORT A1,A2,A3
 *SCALE : 4/1

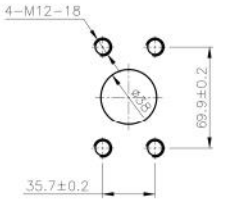


DETAIL-DELIVERY PORT A4
 *SCALE : 4/1

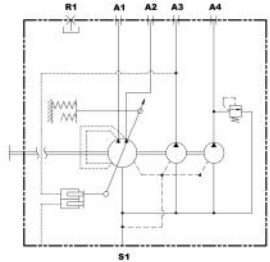


DETAIL-AIR VENT PORT-R
 *SCALE : 4/1

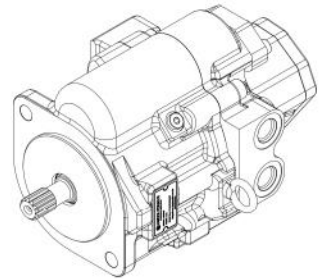
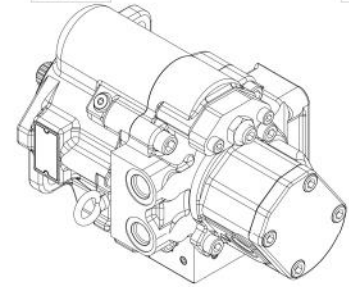
***GEAR PUMP : G1SP 10.5cc-A3**
 1. DISCHARGE RATE : 10.5cc/rev
 2. MAX WORKING PRESSURE : 210kgf/cm²
 3. PORT SIZE : PF1/2-14N
 -50°C, ISO VG46, -80~90°C-



SAE 1 1/2
 FOR SUCTION-PORT
 *SCALE : 1/1



HYDRAULIC CIRCUIT FOR PRINCIPLE



- OPERATING SPECIFICATIONS**
- *MAIN PUMP(A1, A2)**
 1. MAX. DISPLACEMENT : 14cm³ X 2
 2. RATED SPEED : 2,600rpm
 3. MAX WORKING PRESSURE : 24.5(250)MPa(kgf/cm²)
 - *GEAR PUMP(A3)**
 1. MAX. DISPLACEMENT : 4.5 / 6.5 / 9.0 / 10.5cm³
 2. MAX WORKING PRESSURE : 24.5(250)MPa(kgf/cm²)
 - *TROCHOID PUMP(A4)**
 1. MAX. DISPLACEMENT : 5.1 / 6.5cm³
 2. MAX WORKING PRESSURE : 3.9(40)MPa(kgf/cm²)