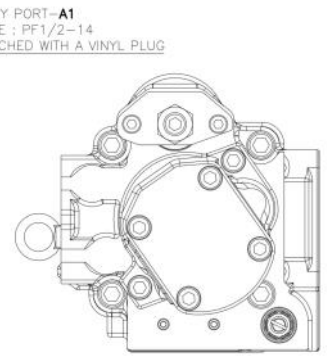
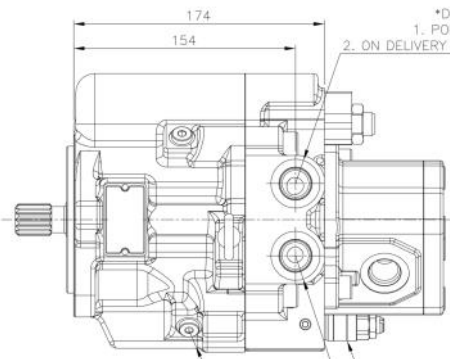
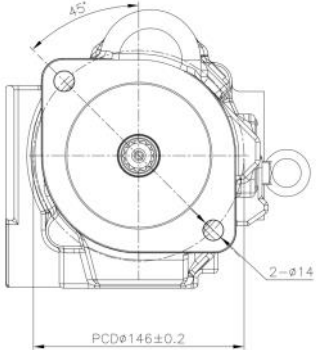
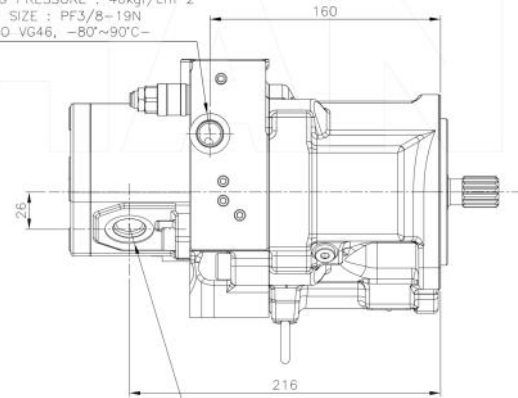


INVOLUTE SPLINE

Module	1.5
Number of Teeth	13
Pitch Circle Diameter	20.64
Addendum	16/32
Pressure Angle	30°
Key Width	4
Key Depth	4
Key Type	SAE J4989



***TROCHOID PUMP : G2SP 5.1cc-A4**
 1. DISCHARGE RATE : 5.1cc/rev
 2. MAX WORKING PRESSURE : 40kgf/cm²
 3. PORT SIZE : PF3/8-19N
 -50°C, ISO VG46, -80~90°C-

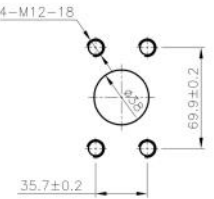


OPERATING SPECIFICATIONS
1. MAX. DISPLACEMENT

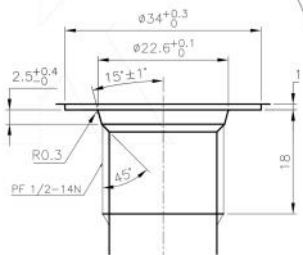
P1	25.5MPa
P2	25.5MPa
P3	20.5MPa
P4	3.9MPa

2. RATED SPEED : 2600rpm
3. MAX WORKING PRESSURE : 25.5(260)MPa(kgf/cm²)

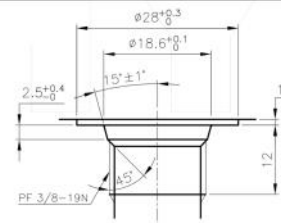
***GEAR PUMP : G1SP 10.5cc-A3**
 1. DISCHARGE RATE : 10.5cc/rev
 2. MAX WORKING PRESSURE : 210kgf/cm²
 3. PORT SIZE : PF1/2-14N
 -50°C, ISO VG46, -80~90°C-



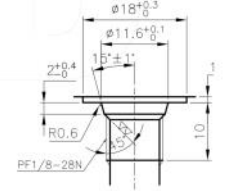
SAE 1 1/2 FOR SUCTION PORT
 *SCALE : 1/1



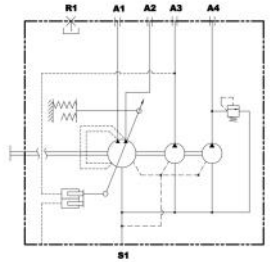
DETAIL-DELIVERY PORT A1,A2,A3
 *SCALE : 4/1



DETAIL-DELIVERY PORT A4
 *SCALE : 4/1



DETAIL-AIR VENT PORT-R
 *SCALE : 4/1



HYDRAULIC CIRCUIT FOR PRINCIPLE

