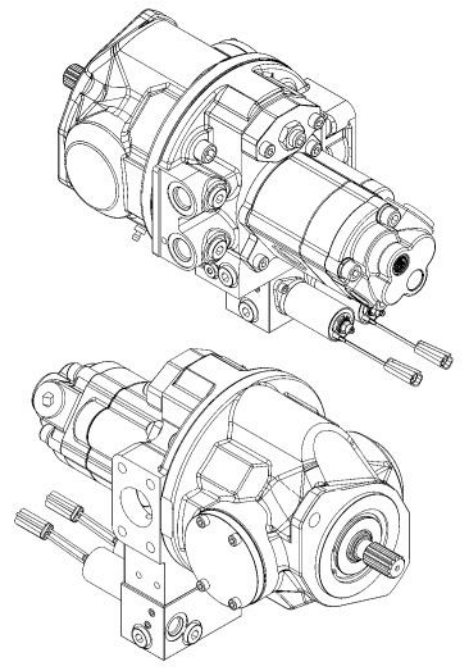
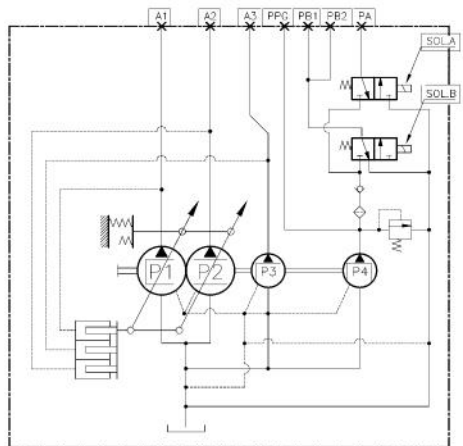
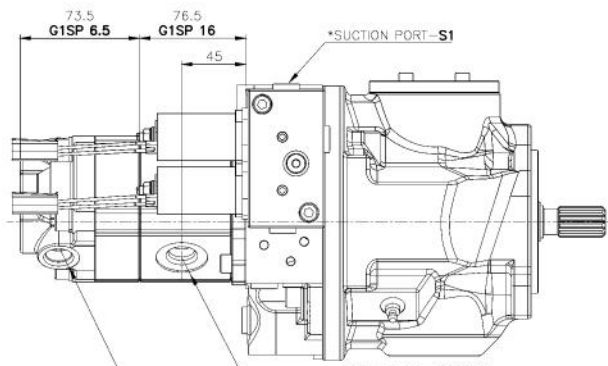
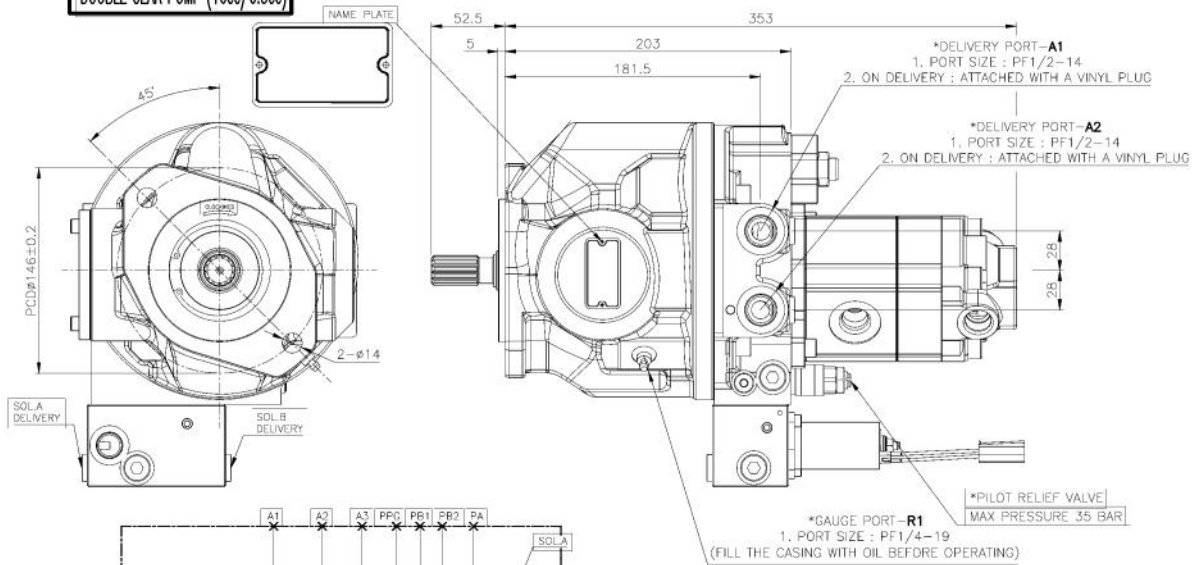
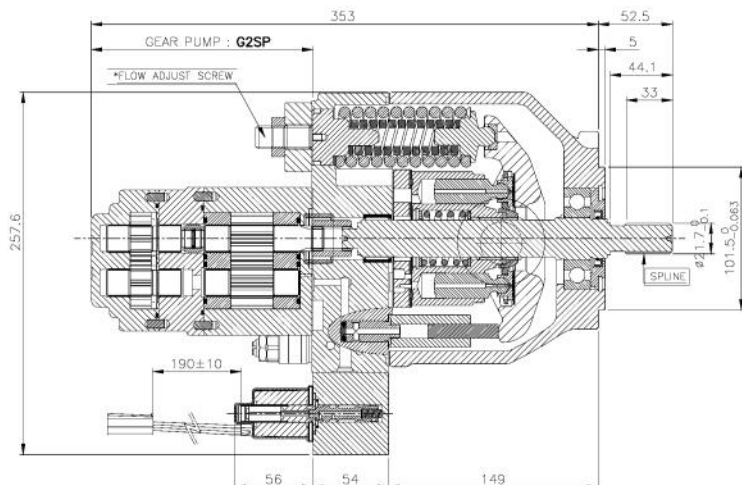
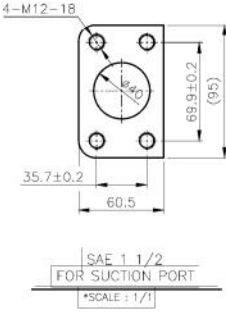
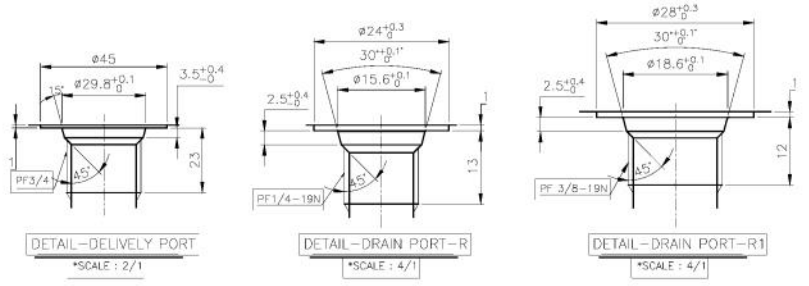




**DOUBLE GEAR PUMP (16cc/6.5cc)**



\*GEAR PUMP : G1SP 6.5  
 1. DISCHARGE RATE : 6.5cc/rev  
 2. MAX WORKING PRESSURE : 35kgf/cm<sup>2</sup>  
 -50°C, ISO VG46, -80~90°C-



**OPERATING SPECIFICATIONS**

- 1. MAX. DISPLACEMENT**
- |    |         |
|----|---------|
| P1 | 25.5MPa |
| P2 | 25.5MPa |
| P3 | 23.5MPa |
| P4 | 4.9MPa  |
- 2. RATED SPEED : 2600rpm**  
**3. MAX WORKING PRESSURE : 25.5(260)MPa(kgf/cm<sup>2</sup>)**

INVOLUTE SPLINE 牙形図

|                  |              |
|------------------|--------------|
| Module           | 1.5          |
| Pressure Angle   | 30°          |
| Modul Dia        | φ21.6~φ21.7  |
| Major Dia        | φ21.6~φ21.7  |
| Pitch Circle Dia | φ21.6        |
| Profile          | Side Fitting |
| Standard         | DIN5481D     |