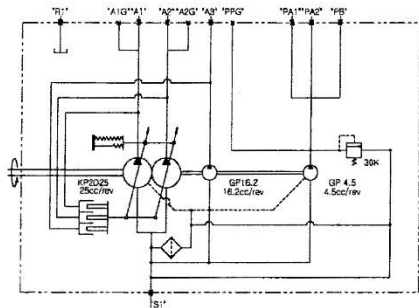
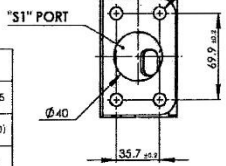
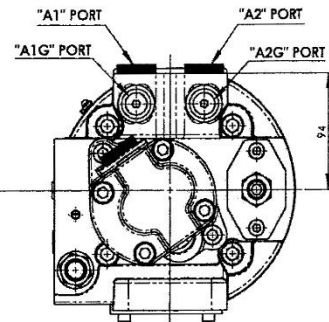
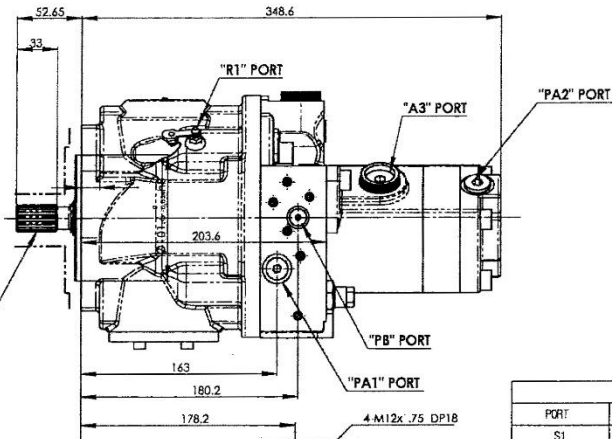
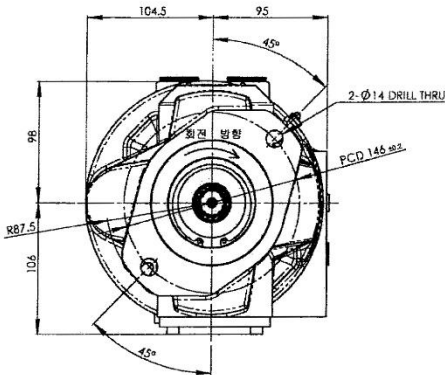
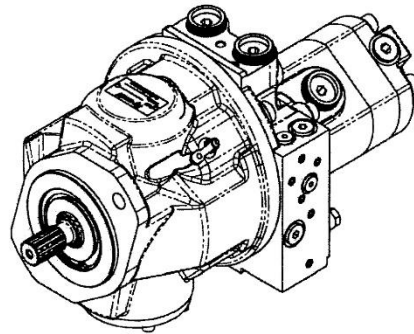
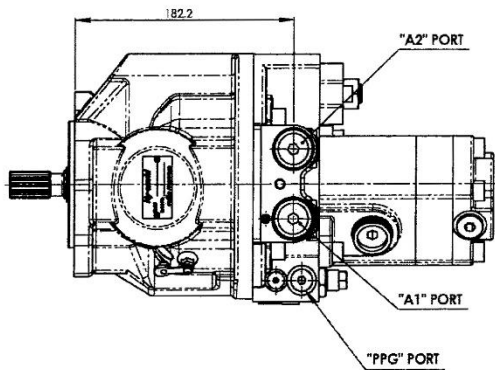


표준 기호기
Re. 표시



CIRCUIT DIAGRAM



PORT SIZE		
PORT	TITLE	CONFIGURATION
S1	INPUT PORT	SAE A 1/2
A1, A2	OUTPUT PORT	PF X (O-RING TYPE)
A3	OUTPUT PORT	PF X (O-RING TYPE)
PA1, PA2, PB	OUTPUT PORT	PF X (O-RING TYPE)
A1G, A2G	GAUGE PORT	PF X (O-RING TYPE)
AC	GAUGE PORT	PF X (O-RING TYPE)
PPG	GAUGE PORT	PF X (O-RING TYPE)
R1	AIR PORT	M10X1.0

INVOLUTE SPLINE DATA (A)		
잇 수	Z	13
모듈	M	16/32
압력각	α	30°
비틀림각	β	-
비틀림완량	-	-
전위계수	x	-
기준치치원경	d	Ø20.6375
베이스원경	a	-
치외경	aa	Ø21.8 ^{+0.02}
치저원경	e	Ø18.5
오버핀경	o	Ø2.048
오버핀거리	-	24.981~25.026
결합방법	-	FLAT ROOT SIDE FIT
LEAD 오차	-	0.017
INDEX 오차	-	0.05
GEAR 등급	-	KS 5급

OPERATING SPECIFICATIONS			
MACHINE MODEL	NP2025	DP 16.2	DP 4.5
사용압력 (Working Pressure)	MPa(kgf/cm ²)	21.6(220)	21.6(220) 2.9(30)
용적 (Displacement)	cc	25.0X2	16.2 4.5
배출유량 (Delivery Flow)	l/min	15.0X2	35.6 9.9
PS Power Shift 압력 (PS Shift Pressure)	MPa(kgf/cm ²)	2.45(25)	21.6(220) 2.45(25) 21.6(220)
입력마력 (Input Horse Power)	HP(PS)	51.6(43)	16.0(24.5) 1.7(2.5) 15.9(20.6) 0.7(0.9)
입력축 마력 (Input Shaft Horse Power)	HP(PS)	34.0(46.2)	34.0(46.2)
입력축 토크 (Input Shaft Torque)	N.m(kgf.m)	146(15.1)	145(15.1)
제어방식 (Control System)	전력제동식 권전리코어(Power Shift) Full H.P. (1:1) single control in accordance with power shift		
회전속 (Operating Speed)	min ⁻¹	2200	
회전방향 (Direction of Rotation)	우회전(측면방향에서 보았을 때) Clockwise(The view from shaft end)		

SPECIFICATION	
MAX. PRESSURE	250 (kgf/cm ²)
RATED PRESSURE	220 (kgf/cm ²)
MAX. DISPLACEMENT	25X2 (cc/rev)
FLOWRATE	55.0X2 (l/min)
ROTATION SPEED	2200 (r.p.m)
INPUT TORQUE	15.1 (kgf.m)
WEIGHT	33.5 (kg)