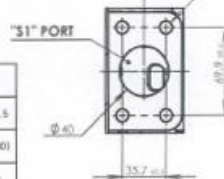
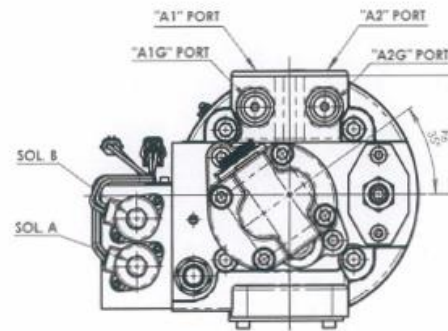
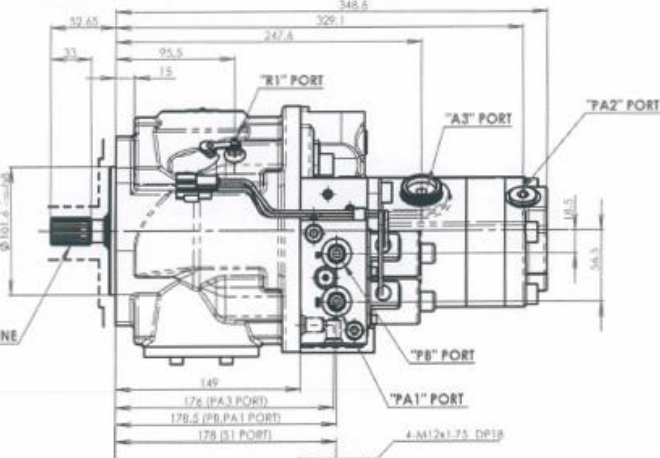
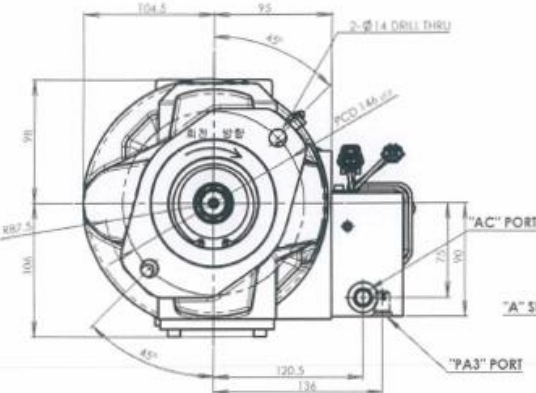
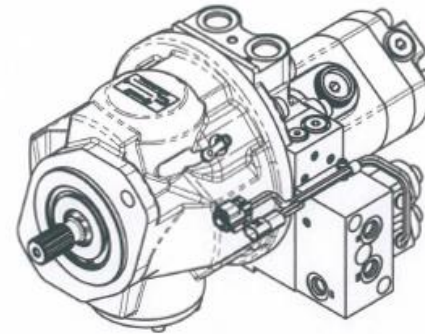
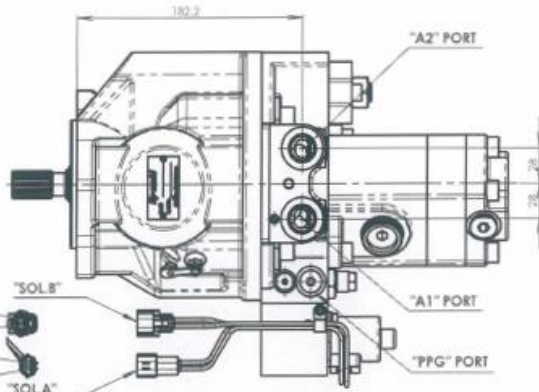


CIRCUIT DIAGRAM



INVOLUTE SPLINE DATA (A)	
잇 수 Z	13
모 듈 M	16/32
압 각 α	30°
비틀림각 β	-
비틀림발생	-
전위계수 x	-
기준치동경 d	φ20.6375
베이스동경	-
최 외경 m	φ21.8 ^{+0.01}
치저동경 a	φ18.5
오버린경 b	φ3.048
오버린거리	24.981~25.026
결합방법	FLAT ROOT SIDE FIT
LEAD 오차	0.017
INDEX 오차	0.05
GEAR 등급	K3 5급

OPERATING SPECIFICATIONS					
MODEL	RP020	QP 16.2	QP 4.5		
작동압력 (Working Pressure)	Max(Ng/cm ²) 21.6(200)	21.6(200)	2.9(30)		
압력 (Displacement)	cm ³ 25.00	16.2	4.5		
당송량 (Delivered Flow)	l/min 55.00	36.0	9.0		
PS Power Shift 압력 (PS Shift Pressure)	Max(Ng/cm ²) 2.45(25)	21.6(200)	2.45(25)	21.6(200)	
입력동력 (Input Horse Power)	HP(P5) 21.6(40)	18.0(24.5)	1.7(2.3)	15.3(20.8)	0.7(0.9)
입력축 동력 (Input Shaft Horse Power)	HP(P5) 24.0(46.2)	24.0(46.2)	-	-	-
입력축모멘트 (Input Shaft Torque)	N.m(Ng.m) 148(15.1)	148(15.1)	-	-	-
제어방식 (Control System)	공급압력에서 권력제어(Power Shift) Full H.P. (117 angle control) is compatible with power shift				
회전속 (Operating Speed)	min ⁻¹ 2000	-	-	-	-
회전방향 (Direction of Rotation)	중심선측방향에서 볼 때 CLOCKWISE (The view from shaft end)				

PORT SIZE		
PORT	TITLE	CONFIGURATION
S1	INPUT PORT	SAE A 1/2"
A1, A2	OUTPUT PORT	PF X (O-RING TYPE)
A3	OUTPUT PORT	PF X (O-RING TYPE)
PA1, PA2, PA3, PB	OUTPUT PORT	PF X (O-RING TYPE)
PA2	OUTPUT PORT	PF X (O-RING TYPE)
A1G, A2G	GAUGE PORT	PF X (O-RING TYPE)
PPG, AC	GAUGE PORT	PF X (O-RING TYPE)
R1	AIR PORT	M10xP1.0

SPECIFICATION		
PISTON PUMP	MAX. PRESSURE	250 (kgf/cm ²)
	RATED PRESSURE	220 (kgf/cm ²)
	MAX. DISPLACEMENT	25X2 (cc/rev)
	FLOWRATE	55.0X2 (l/min)
	ROTATION SPEED	2200 (r.p.m)
	INPUT TORQUE	15.1 (kgf.m)
	WEIGHT	33.5 (kg)